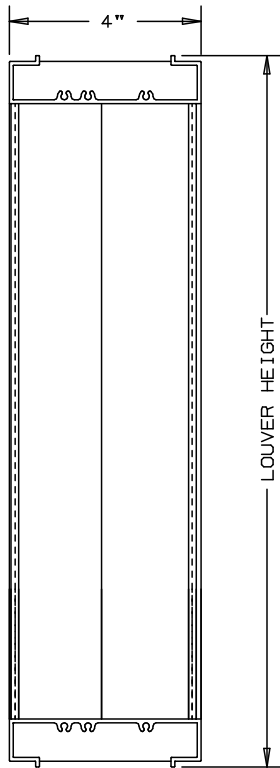


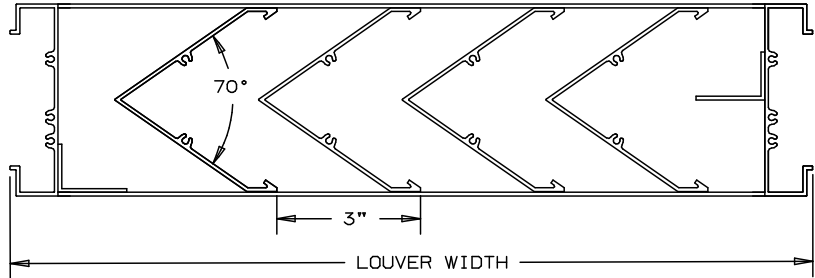
ARROW EXTRUDED ALUMINUM LOUVERS 4" DEEP

TYPE C-34

CHEVRON-SIGHTPROOF - VERTICAL - CHANNEL TYPE



NOT TO SCALE



SPECIFICATIONS

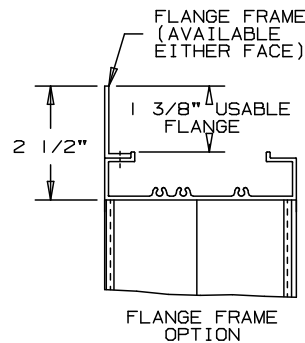
MATERIAL: EXTRUDED ALUMINUM 6063-T6/T52 ALLOY
.081" THK.

FACE OF LOUVER: ALL SURFACES ARE FLUSH. WITH JAMBS
CONTAINED WITHIN THE HEAD AND SILL.

SCREEN: (WHEN INDICATED)

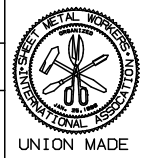
- BIRD SCREEN - 1/2" FLATTENED ALUMINUM, .051" THK.
- OR - 1/2" SQ. MESH INTERMEDIATE DOUBLE-CRIMPED ALUMINUM WIRE, .063" DIA.
- OR - 18/16 MESH, .011" DIA. ALUMINUM WIRE INSECT SCREEN.

FINISH: _____



NOMINAL DEDUCTIONS WILL BE MADE TO OPENING SIZES GIVEN.

| ITEM | QTY. | WIDTH | HEIGHT | WIDTH | HEIGHT | MULL | TYPE | LOC | |
|------|------|--------------|--------|-------------|--------|------|------|-----|--|
| | | OPENING SIZE | | LOUVER SIZE | | | | | |
| | | | | | | | | | |
| | | | | | | | | | |
| | | | | | | | | | |



ARROW UNITED INDUSTRIES
A DIVISION OF MESTEK, INC.
450 RIVERSIDE DRIVE
WYALUSING, PA 18853
TEL: (570) 746-1888 FAX: (570) 746-9286
WEB ADDRESS: WWW.ARROWUNITED.COM
AGENT: _____

ARCH./ENG. : _____

CONTR. : _____

PROJECT: _____

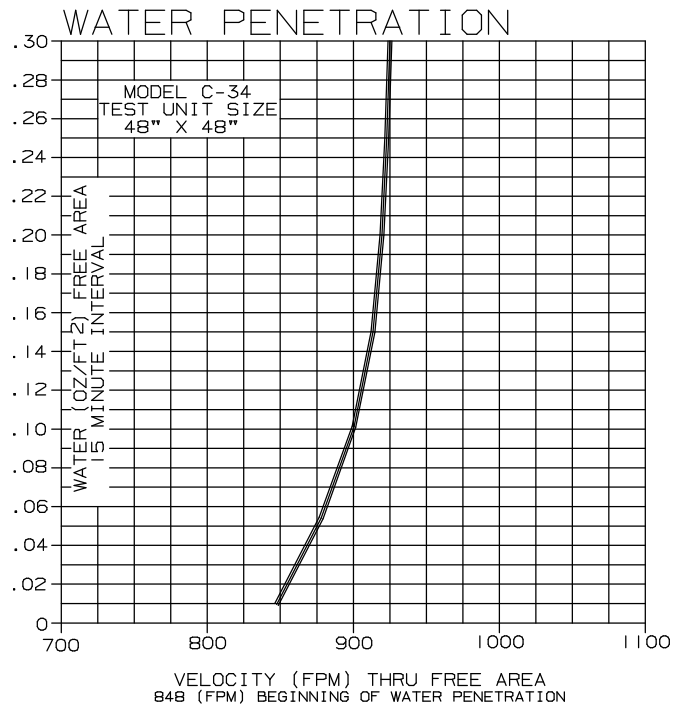
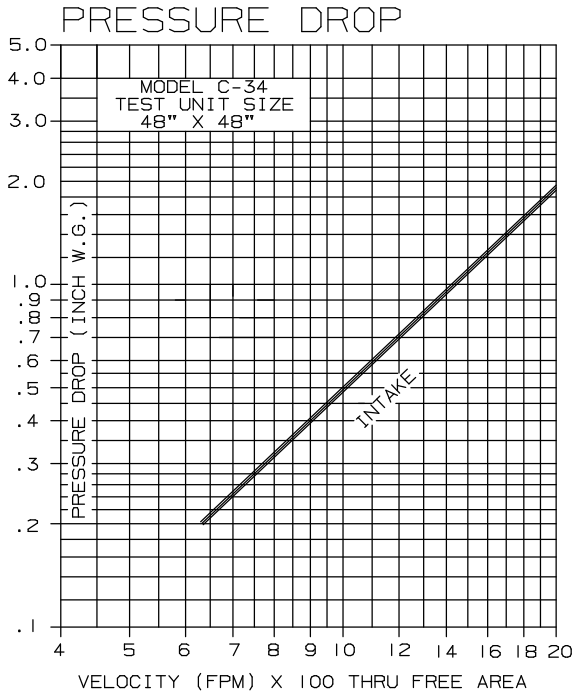
EDR: _____ ECN: _____ JOB: _____

DATE: _____ DWN. : _____ DWG. : _____

LOUVER MODEL C-34 CHEVRON BLADE EXTRUDED ALUMINUM - VERTICAL - STATIONARY

PERFORMANCE DATA

RATINGS DO NOT INCLUDE THE EFFECT OF BIRDSCREEN.



FREE AREA

| HEIGHT | FREE AREA (SQ. FT.) | | | | | | | | |
|--------|---------------------|------|------|------|------|-------|-------|-------|-------|
| | WIDTH | | | | | | | | |
| | 12" | 18" | 24" | 30" | 36" | 42" | 48" | 54" | 60" |
| 12" | .27 | .40 | .53 | .67 | .80 | .93 | 1.07 | 1.20 | 1.33 |
| 24" | .70 | 1.04 | 1.39 | 1.74 | 2.09 | 2.43 | 2.78 | 3.13 | 3.48 |
| 36" | 1.13 | 1.69 | 2.25 | 2.81 | 3.38 | 3.94 | 4.50 | 5.06 | 5.63 |
| 48" | 1.55 | 2.33 | 3.11 | 3.89 | 4.66 | 5.44 | 6.22 | 6.99 | 7.77 |
| 60" | 1.98 | 2.98 | 3.97 | 4.96 | 5.95 | 6.94 | 7.93 | 8.93 | 9.92 |
| 72" | 2.41 | 3.62 | 4.83 | 6.03 | 7.24 | 8.45 | 9.65 | 10.86 | 12.07 |
| 84" | 2.84 | 4.26 | 5.68 | 7.11 | 8.53 | 9.95 | 11.37 | 12.79 | 14.21 |
| 96" | 3.27 | 4.91 | 6.54 | 8.18 | 9.82 | 11.45 | 13.09 | 14.72 | 16.36 |