

ARROW

LOUVERED PENTHOUSES
EXTRUDED ALUMINUM

TYPE SVP-45-C

STACK VENTILATION PENTHOUSE

SPECIFICATIONS

LOUVER: EXTRUDED ALUMINUM 6063-T6/T52 ALLOY, FRAME AND BLADE ARE .080" THK. W/ POST CORNER CONSTRUCTION

SCREEN: (WHEN INDICATED)
BIRD SCREEN - 1/2" FLATTENED ALUMINUM, .051" THK.
OR - 1/2" SQ. MESH INTERMEDIATE DOUBLE-CRIMPED ALUMINUM WIRE, .063" DIA.
OR - 18/16 MESH, .011" DIA. ALUM. WIRE INSECT SCREEN.

FINISH: VARIES

SIZE: 38"x38"x18", SITS ON A CURB 24" OR 36" HIGH

CURB: 12 GA. GALVANNEAL, GALVANIZED STEEL OR 1/8" THK. ALUMINUM W/ 4" MOUNTING FLANGE, WELDED CONSTRUCTION

ROOF: .060" THK. FORMED ALUMINUM WITH 1/2" THK. RIGID INSULATION

POST CORNER: .080" THK. FORMED ALUMINUM

GLASS: 1/8" THK. ANNEALED GLASS

ROOF OPENING: 28"x28" MINIMUM, 38"x38" MAXIMUM

LOUVER DETAILS
MODEL: EA-405

SIZE: 30" x 18" (4) FOUR REQ'D

FREE AREA: 6.54 SQ. FT. TOTAL

CONTROL DAMPER DETAILS
MODEL: ARROW UNITED MODEL AFD-20

SIZE: 26"x26" O.D. NOMINAL

ACTUATOR: INTERNALLY MOUNTED ELECTRIC

CORE AREA: 3.75 SQ. FT.

MODEL: ARROW UNITED MODEL 395

SIZE: 26"x26" O.D. NOMINAL

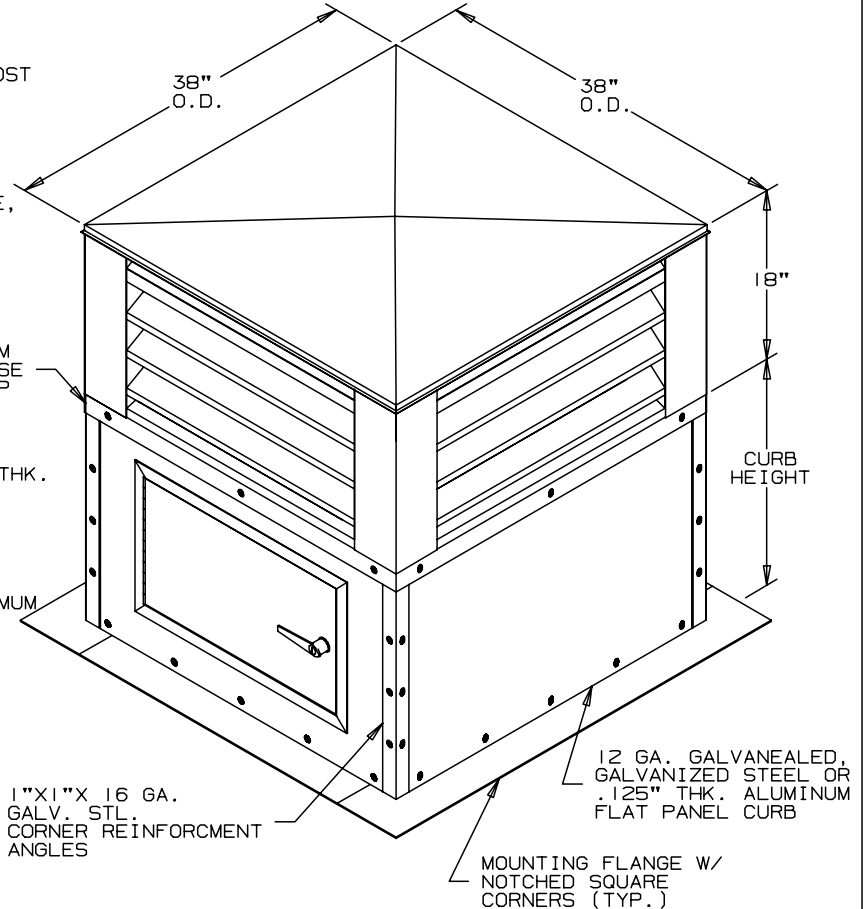
ACTUATOR: INTERNALLY MOUNTED ELECTRIC

CORE AREA: 4.08 SQ. FT.

OPTIONAL :

-HINGED LOUVER WITH HASP OR SURFACE MOUNT LATCH IN PLACE OF ACCESS DOOR IN CURB

-DRAINABLE BLADE LOUVER (MODEL EA-415-D)



1"x1"x 16 GA. GALV. STL. CORNER REINFORCEMENT ANGLES

12 GA. GALVANEAL, GALVANIZED STEEL OR .125" THK. ALUMINUM FLAT PANEL CURB

MOUNTING FLANGE W/ NOTCHED SQUARE CORNERS (TYP.)

ALUMINUM PENTHOUSE CURB CAP

CURB HEIGHT

ITEM	QTY.	WIDTH	HEIGHT	CURB HEIGHT	GLASS ACCESS	HINGED ACCESS	TAGGING
		ROOF OPENING					



ARROW UNITED INDUSTRIES
A DIVISION OF MESTEK, INC.
450 RIVERSIDE DRIVE
WYALUSING, PA 18853
TEL: (570) 746-1888 FAX: (570) 746-9286
WEB ADDRESS: WWW.ARROWUNITED.COM

AGENT: _____

ARCH./ENG. : _____
CONTR. : _____
PROJECT : _____
EDR: _____ ECN: _____ JOB: _____
DATE: _____ DWN. : _____ DWG. : _____

ARROW

LOUVERED PENTHOUSES
EXTRUDED ALUMINUM

TYPE SVP-45-C

PENTHOUSE OPTIONAL CONSTRUCTION

