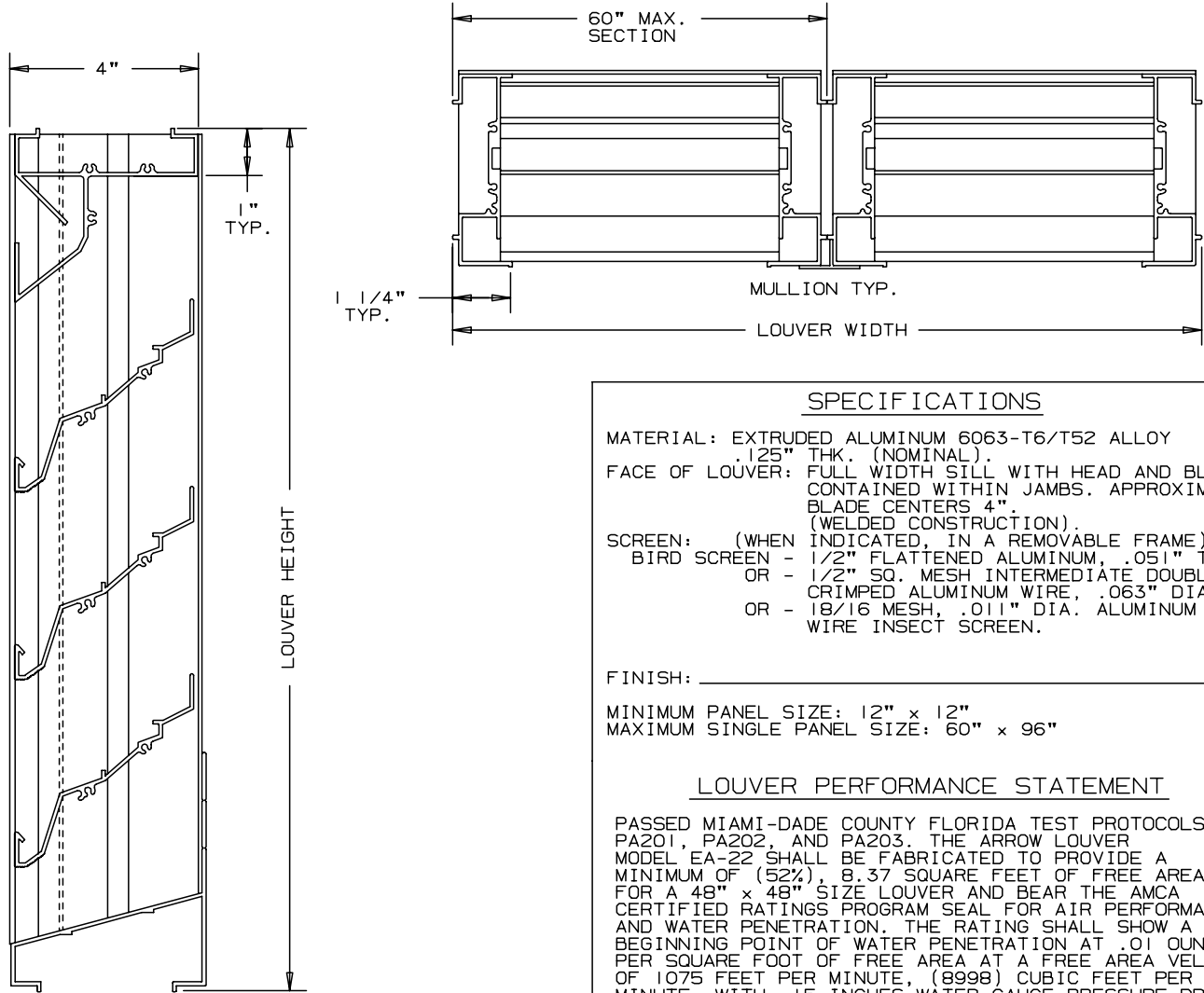


# ARROW EXTRUDED ALUMINUM LOUVERS 4" DEEP

MIAMI-DADE COUNTY, FLORIDA  
NOA NO. 14-0423.20 EXPIRES 7-27-18

# TYPE EA-22

45° DUAL DRAIN BLADE-STATIONARY-CHANNEL TYPE  
WITHSTANDS DESIGN PRESSURES UP TO 150± P.S.F.



NOT TO SCALE

### SPECIFICATIONS

MATERIAL: EXTRUDED ALUMINUM 6063-T6/T52 ALLOY  
.125" THK. (NOMINAL).  
FACE OF LOUVER: FULL WIDTH SILL WITH HEAD AND BLADES  
CONTAINED WITHIN JAMBS. APPROXIMATE  
BLADE CENTERS 4".  
(WELDED CONSTRUCTION).  
SCREEN: (WHEN INDICATED, IN A REMOVABLE FRAME)  
BIRD SCREEN - 1/2" FLATTENED ALUMINUM, .051" THK.  
OR - 1/2" SQ. MESH INTERMEDIATE DOUBLE-  
CRIMPED ALUMINUM WIRE, .063" DIA.  
OR - 18/16 MESH, .011" DIA. ALUMINUM  
WIRE INSECT SCREEN.

FINISH: \_\_\_\_\_

MINIMUM PANEL SIZE: 12" x 12"  
MAXIMUM SINGLE PANEL SIZE: 60" x 96"

### LOUVER PERFORMANCE STATEMENT

PASSED MIAMI-DADE COUNTY FLORIDA TEST PROTOCOLS  
PA201, PA202, AND PA203. THE ARROW LOUVER  
MODEL EA-22 SHALL BE FABRICATED TO PROVIDE A  
MINIMUM OF (52%), 8.37 SQUARE FEET OF FREE AREA  
FOR A 48" x 48" SIZE LOUVER AND BEAR THE AMCA  
CERTIFIED RATINGS PROGRAM SEAL FOR AIR PERFORMANCE  
AND WATER PENETRATION. THE RATING SHALL SHOW A  
BEGINNING POINT OF WATER PENETRATION AT .01 OUNCES  
PER SQUARE FOOT OF FREE AREA AT A FREE AREA VELOCITY  
OF 1075 FEET PER MINUTE, (8998) CUBIC FEET PER  
MINUTE. WITH .15 INCHES WATER GAUGE PRESSURE DROP  
FOR AIR INTAKE.

FOR CERTIFIED RATINGS  
AUTHORIZED BY AMCA  
-SEE REVERSE SIDE

NOMINAL DEDUCTIONS WILL BE MADE TO OPENING SIZES GIVEN.

ITEM	QTY.	OPENING SIZE		LOUVER SIZE		MULL	SCREENS		
		WIDTH	HEIGHT	WIDTH	HEIGHT		TYPE	LOC	



**ARROW UNITED INDUSTRIES**  
A DIVISION OF MESTEK, INC.  
450 RIVERSIDE DRIVE  
WYALUSING, PA 18853  
TEL: (570) 746-1888 FAX: (570) 746-9286  
WEB ADDRESS: WWW.ARROWUNITED.COM

AGENT: \_\_\_\_\_

ARCH./ENG. : \_\_\_\_\_  
CONTR. : \_\_\_\_\_  
PROJECT: \_\_\_\_\_  
EDR: \_\_\_\_\_ ECN: \_\_\_\_\_ JOB: \_\_\_\_\_  
DATE: \_\_\_\_\_ DWN. : \_\_\_\_\_ DWG. : \_\_\_\_\_

# LOUVER MODEL EA-22

## 45° DRAIN BLADE

### EXTRUDED ALUMINUM - STATIONARY

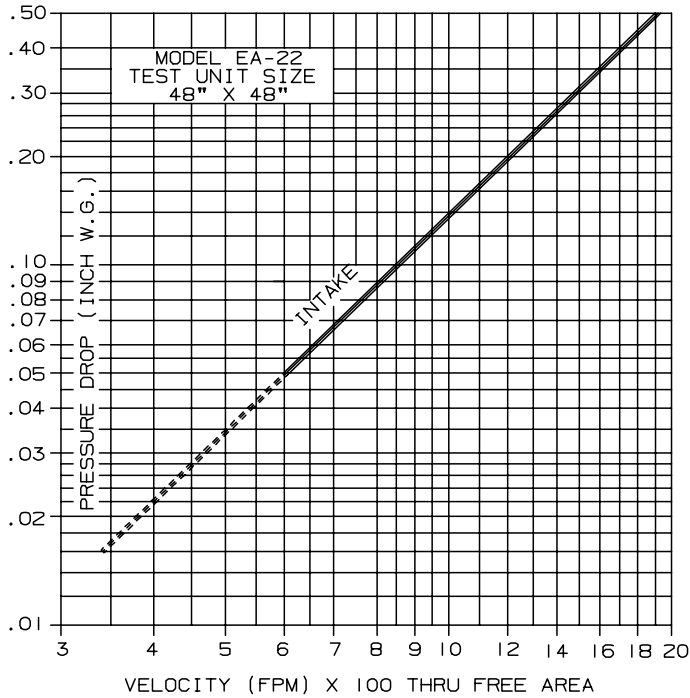
## PERFORMANCE DATA

EXCELLENT WEATHER PROTECTION WITH LITTLE PRESSURE LOSS.

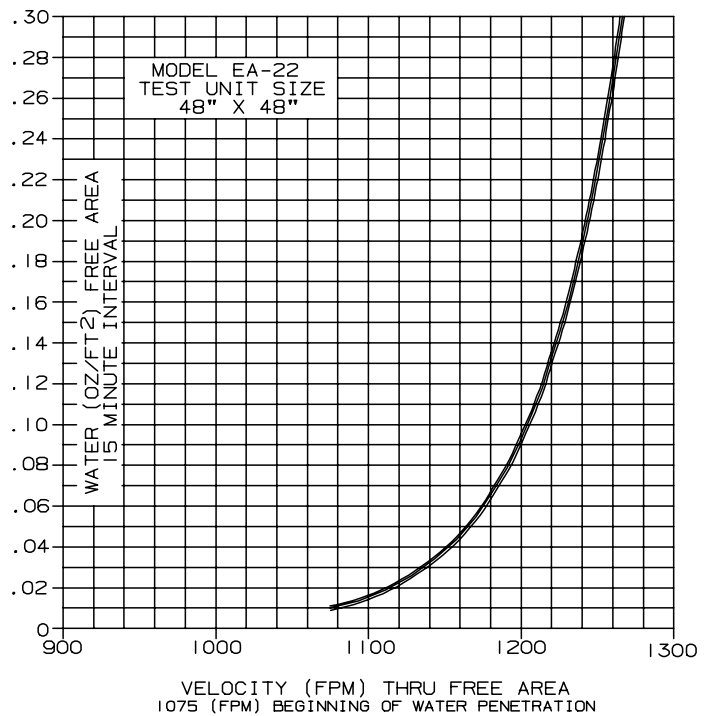
TESTS OF A 48" X 48" SAMPLE ACCORDING TO AMCA STANDARD 500-L SHOWS LOW WATER PENETRATION. TESTS SHOW LESS THAN .02 OZ. PER SQ. FT. WATER PENETRATION AT 1100 FPM (FREE AREA VELOCITY) WITH LESS THAN .17 W.G. PRESSURE DROP (INTAKE).

RATINGS DO NOT INCLUDE THE EFFECT OF BIRDSCREEN.

### PRESSURE DROP



### WATER PENETRATION



### FREE AREA

HEIGHT	FREE AREA (SQ. FT.)								
	WIDTH								
	12"	18"	24"	30"	36"	42"	48"	54"	60"
12"	.31	.50	.70	.90	1.09	1.29	1.48	1.68	1.87
24"	.81	1.31	1.82	2.33	2.84	3.35	3.86	4.36	4.87
36"	1.30	2.12	2.94	3.77	4.59	5.41	6.23	7.05	7.87
48"	1.80	2.93	4.07	5.20	6.34	7.47	8.37	9.74	10.87
60"	2.29	3.74	5.19	6.64	8.08	9.53	10.98	12.43	13.88
72"	2.79	4.55	6.31	8.07	9.83	11.59	13.35	15.12	16.88
84"	3.28	5.36	7.43	9.51	11.58	13.65	15.73	17.80	19.88
96"	3.78	6.17	8.55	10.94	13.33	15.72	18.10	20.49	22.88



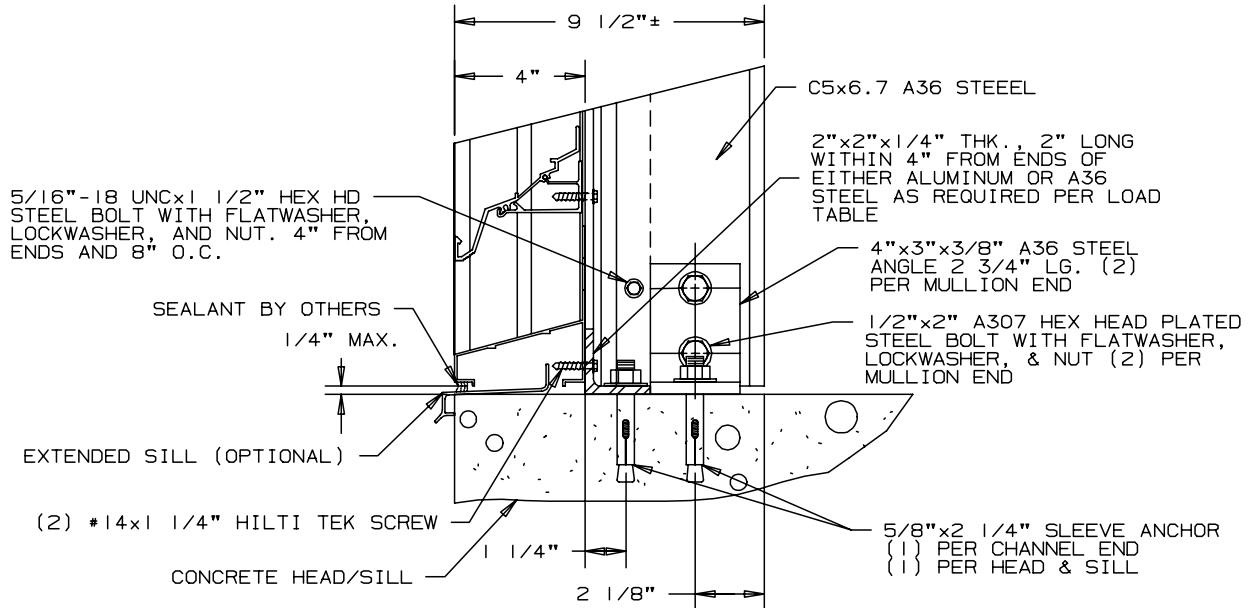
ARROW UNITED CERTIFIES THAT THE MODEL EA-22 LOUVERS SHOWN HEREIN IS LICENSED TO BEAR THE AMCA SEAL. THE RATINGS SHOWN ARE BASED ON TESTS AND PROCEDURES PERFORMED IN ACCORDANCE WITH THE AMCA PUBLICATION 511 AND COMPLY WITH THE REQUIREMENTS OF THE AMCA CERTIFIED RATINGS PROGRAM. THE CERTIFIED RATINGS SEAL APPLIES TO AIR PERFORMANCE RATINGS AND WATER PENETRATION RATINGS.

# ARROW HURRICANE LOUVER INSTALLATION DETAILS

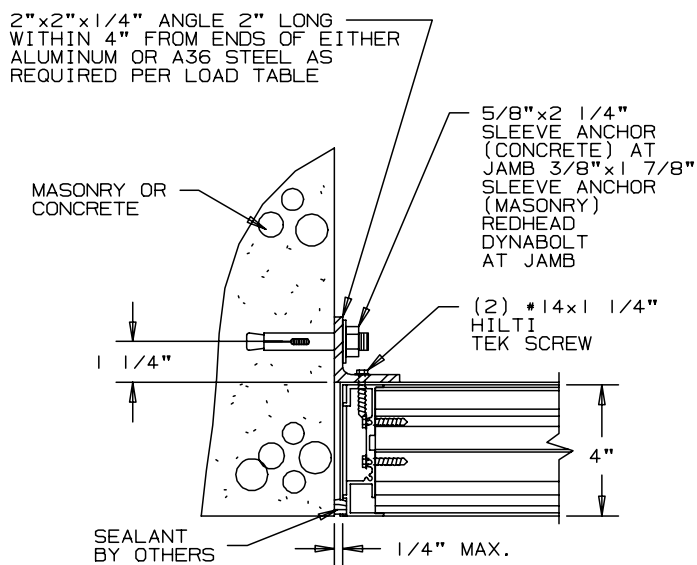
# MODEL EA-22

MIAMI- DADE COUNTY, FLORIDA  
NOA NO. 14-0423.20 EXPIRES 7-27-18

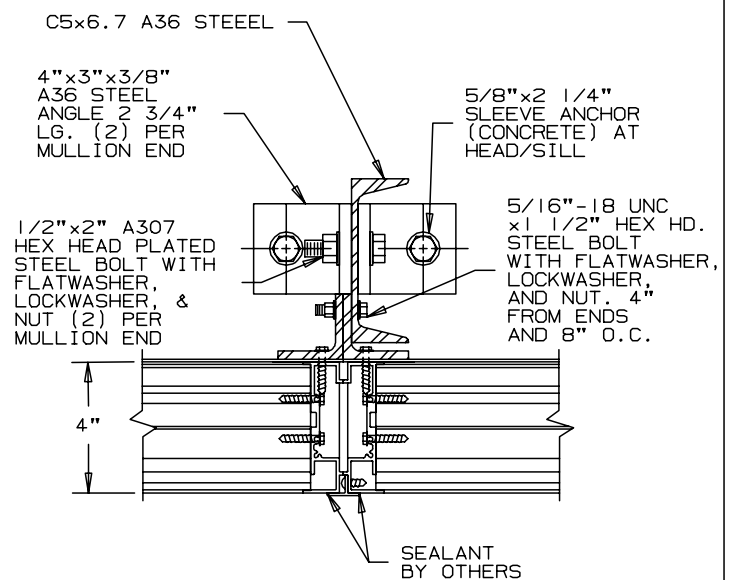
## HEAD/SILL DETAIL



## JAMB DETAIL



## VISIBLE VERTICAL MULLION DETAIL



NOTE: INSTALLATION SHOWN IS FOR CONCRETE/MASONRY