

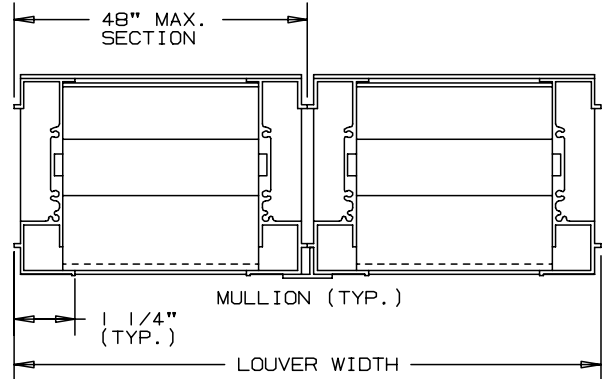
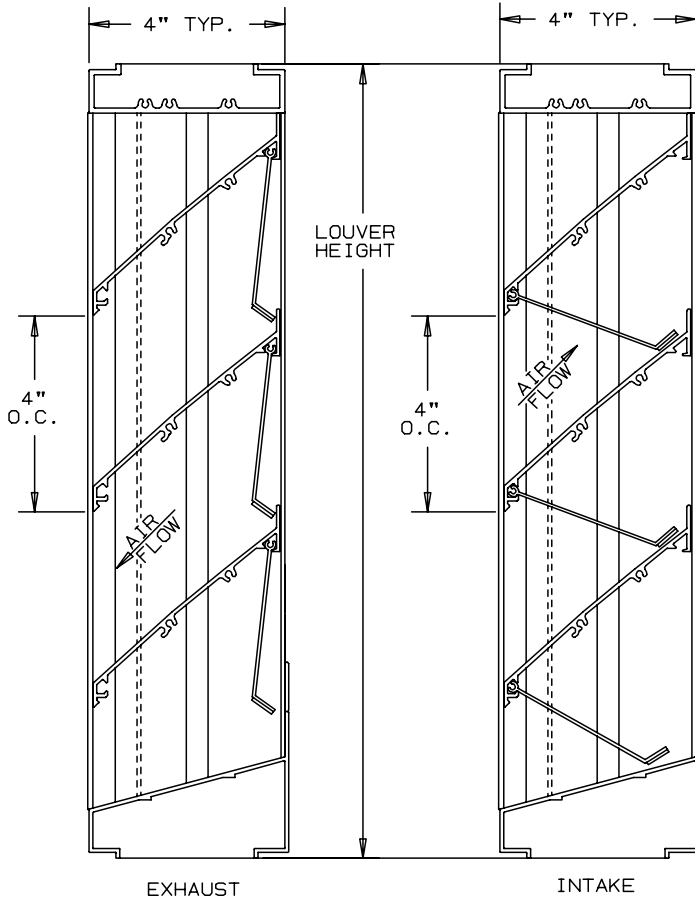
ARROW

TYPE

EXTRUDED ALUMINUM LOUVERS
4" DEEP - AUTOMATIC DUAL COMBINATION

377

45° STANDARD BLADE-COMBINATION-INTAKE OR EXHAUST



SPECIFICATIONS

MATERIAL: EXTRUDED ALUMINUM, 6063-T52 ALLOY, .081" THK. FRAME AND STATIONARY BLADE, .050" THK. OPERABLE BLADE.
FACE OF LOUVER: FULL WIDTH HEAD AND SILL WITH BLADES CONTAINED WITHIN JAMBS.
SCREENS: (WHEN INDICATED)
BIRD SCREEN - 1/2" FLATTENED ALUMINUM, .051" THK.
- 1/2" SQ. MESH INTERMEDIATE DOUBLE-CRIMPED ALUMINUM WIRE, .063" DIA.
INSECT SCREEN - 18/16 MESH, .011" DIA. ALUMINUM WIRE
MAXIMUM PANEL SIZE: 48"x96" MAXIMUM.
MINIMUM PANEL SIZE: 12"x12"
FINISH: _____

INTER-CONNECTING LINKAGE AND COUNTERWEIGHTS NOT AVAILABLE

● SPECIFY TYPE WHEN ORDERING

● SEE REVERSE SIDE FOR PERFORMANCE DATA

NOMINAL DEDUCTIONS WILL BE MADE TO THE OPENING SIZE GIVEN.

ITEM	QTY.	OPENING SIZE		LOUVER SIZE		MULL	SCREENS		LOUVER TYPE		UNION MADE
		WIDTH	HEIGHT	WIDTH	HEIGHT		TYPE	LOC	INTAKE	EXHAUST	

ARROW UNITED INDUSTRIES
A DIVISION OF MESTEK, INC.
450 RIVERSIDE DRIVE
WYALUSING, PA 18853
TEL: (570) 746-1888 FAX: (570) 746-9286

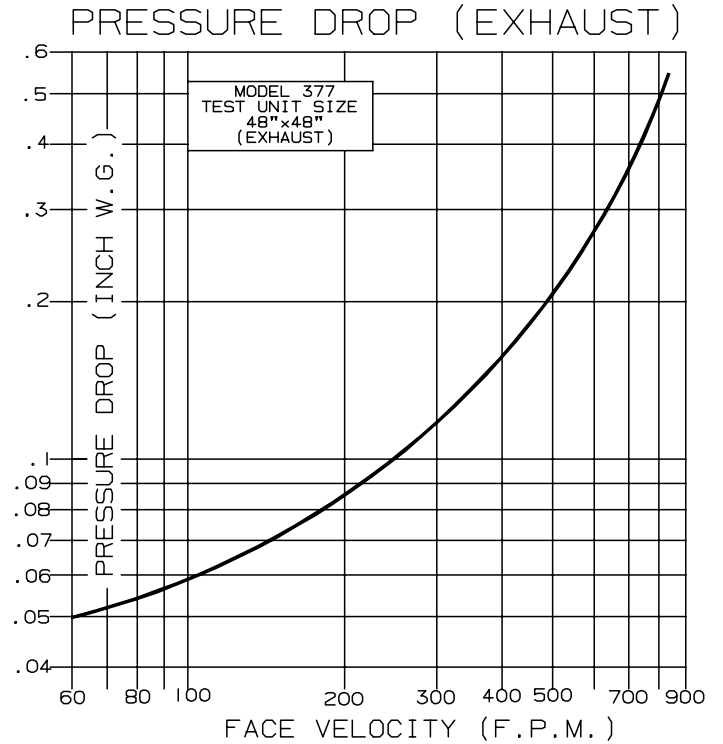
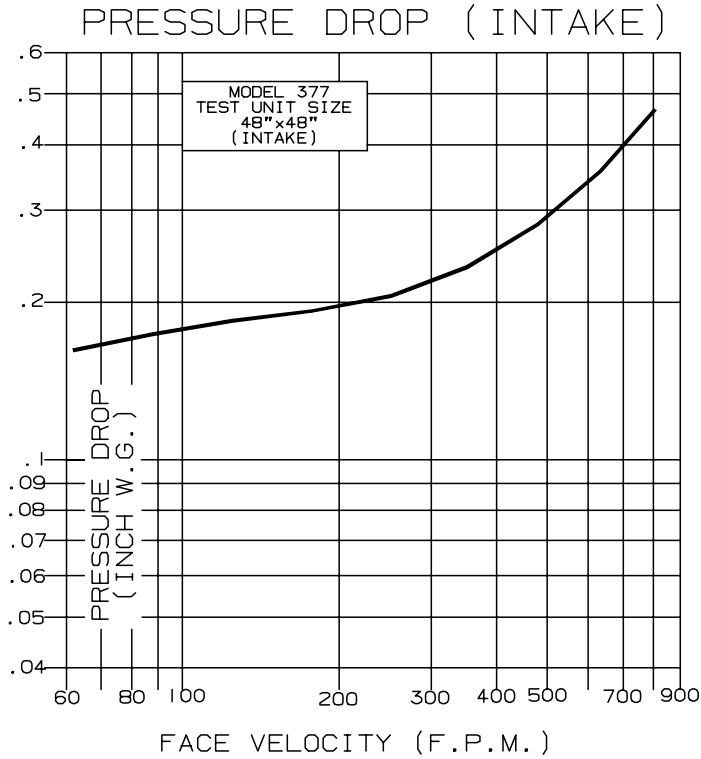
ARCH./ENG. : _____
CONTR. : _____
PROJECT : _____
EDR : _____ ECN : _____ JOB : _____
DATE : _____ DWN. : _____ DWG. : _____

AGENT : _____

LOUVER MODEL 377 COMBINATION LOUVER PERFORMANCE DATA

WITHOUT DUCTWORK

LOUVER INSTALLED PER AMCA 500 FIG. 5.4
(FACE MOUNTED TO A PLENUM) PRESSURE IS
CORRECTED TO .075 LB./CU. FT. AIR DENSITY.



TYPICAL PERFORMANCE FOR MODEL 377
COMBINATION LOUVER, WITHOUT THE USE
OF BLADE LINKAGE, COUNTERWEIGHTS,
AND SCREENS.