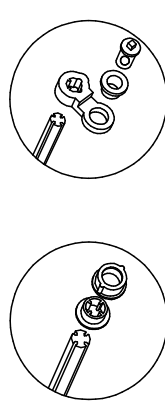
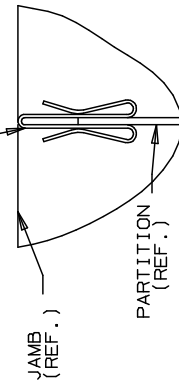


SECTION B-B

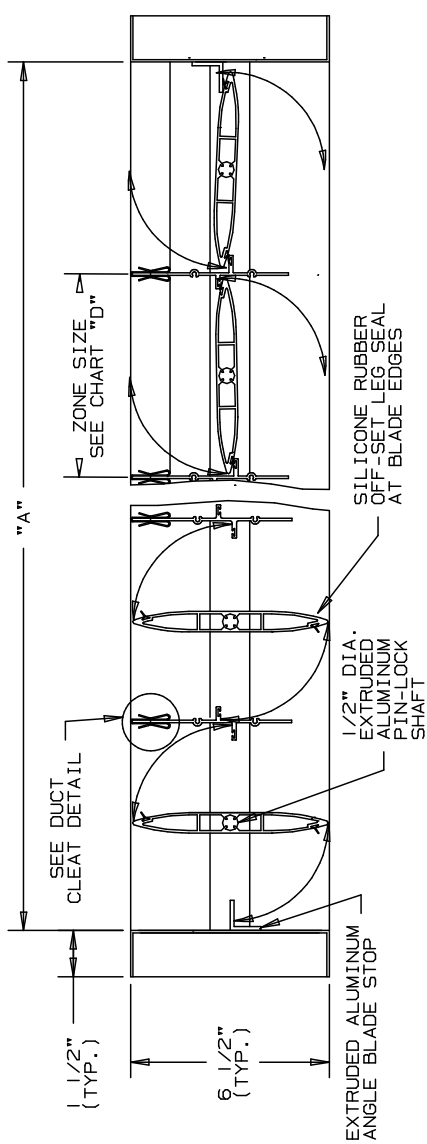


DOUBLE-SEALED BEARINGS
IN-JAMB LINKAGE

DOUBLE FLAT 20 GA. GALV. STL. "S" DUCT CLEAT. LENGTH EQUAL TO "B" DIM.

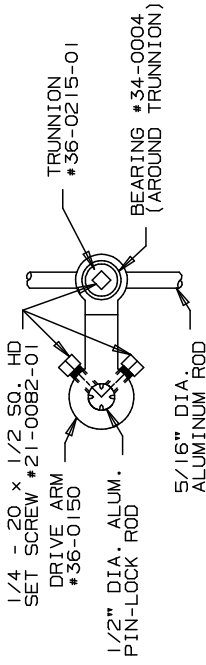


DUCT CLEAT DETAIL



SECTION A-A

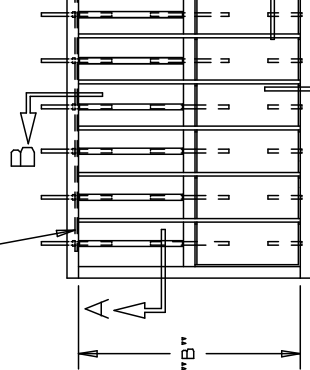
5/16" ALUM. ROD IS FURNISHED CONTINUOUS - CUT ROD TO SUIT ZONE SIZE REQUIRED



DETAIL OF DRIVE ARM ASSEMBLY

CONSTRUCTION

FRAME: .080" THK. 1/2"x6 1/2"x1 1/2"
FORMED ALUMINUM CHANNEL
BLADES: .080" THK. EXTRUDED ALUMINUM
ARROW-FOIL. SEE CHART "D."
DECK DIVIDER: .080" THK. FORMED ALUMINUM, INSULATED.
SHAFTS: 1/2" DIA. "PIN-LOCK"
BEARINGS: DOUBLE-SEALED WITH THRUST WASHERS.
SEALS: SILICONE RUBBER OFF-SET LEG SEAL
BLADE EDGES, NEOPRENE JAMBS.



PLAN VIEW OF ZONE DAMPER

CHART "D"	BLADE SIZE	ZONE SIZE
4"	4" (102mm)	4 1/4" (108mm)
5"	5" (127mm)	5 1/4" (133mm)
6 3/8"	6 3/8" (162mm)	6 5/8" (168mm)

ARROW UNITED INDUSTRIES
A DIVISION OF MESTEK, INC.
450 RIVERSIDE DRIVE
WYALUSING, PA 18853
TEL: (570) 746-1888 FAX: (570) 746-9286
WEB ADDRESS: WWW.ARROWUNITED.COM

MODEL AFD-MZ ZONE DAMPER
ALUMINUM, WITH "ARROW-FOIL" BLADES

UNION MADE