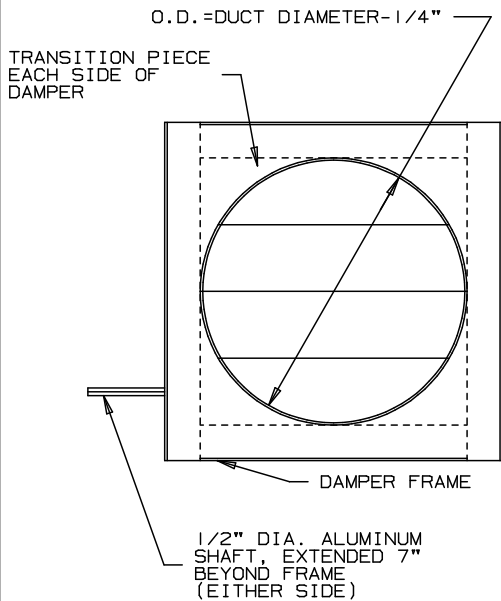


ARROW TRANSITION DAMPERS FOR ROUND AND OVAL DUCTS

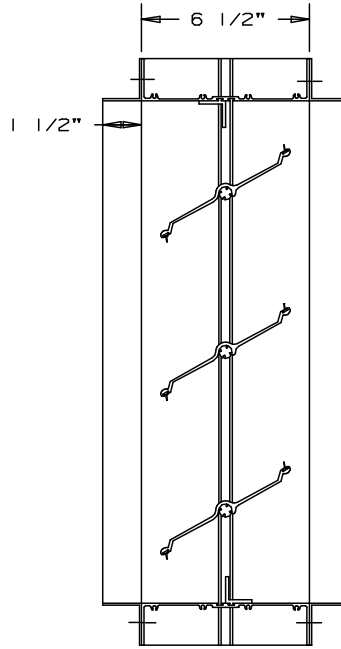
TYPE 56
TYPE 85

ARROW-FOIL
PIN-LOCK

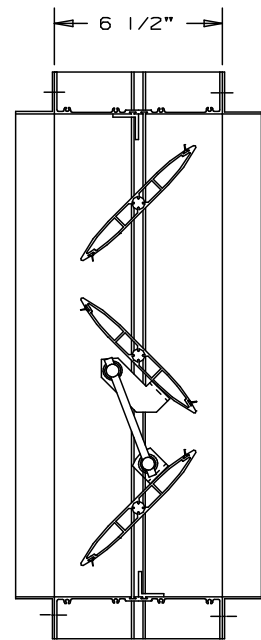
TIGHT CLOSING-MINIMUM LEAKAGE
MULTI-BLADE-ALUMINUM-WITH ARROW-FOIL OR PIN-LOCK BLADES



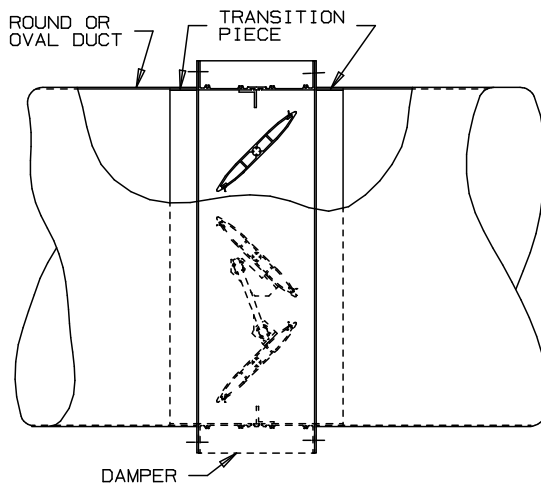
PIN-LOCK MODEL 85



PIN-LOCK
MODEL 85
(SHOWN PARALLEL)



ARROW-FOIL
MODEL 56
(SHOWN OPPOSED)



SECTION SHOWING TYPICAL APPLICATION

SPECIFICATIONS

1. DAMPER IS A STANDARD "ARROW-FOIL" OR "PIN-LOCK" CONSTRUCTION IN A 1 5/8"x6 1/2"x1 5/8" EXTRUDED CHANNEL FRAME.
2. TRANSITION PIECE (.080" THK. ALUMINUM) ON EACH SIDE OF DAMPER, CONNECTS TO ROUND OR OVAL DUCT. SEE ARROW-FOIL OR PIN-LOCK CATALOG SHEET FOR DAMPER SPECIFICATIONS.
3. DAMPER BEARINGS ARE DOUBLE-SEALED.
4. LINKAGE IN JAMB, OUT OF AIRSTREAM.

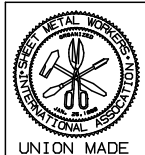
MODEL NO.

PIN-LOCK ROUND TRANSITION (PAR. OR OPP.).....85
ARROW-FOIL ROUND TRANSITION (PAR. OR OPP.).....56
FOR OVAL ADD "OV" TO MODEL NUMBER, EX.85-OV

UP TO 4" S.P.-USE MODEL 85(PIN-LOCK)
MAXIMUM WIDTH-MODEL 85-48"

UP TO 6" S.P.-USE MODEL 56(ARROW-FOIL)
MAXIMUM WIDTH-MODEL 56-60"

SHIPPING WEIGHT-7 LBS./SQ.FT.



UNION MADE

ARROW UNITED INDUSTRIES
A DIVISION OF MESTEK, INC.
450 RIVERSIDE DRIVE
WYALUSING, PA 18853
TEL: (570) 746-1888 FAX: (570) 746-9286
WEB ADDRESS: WWW.ARROWUNITED.COM

AGENT: _____

ARCH./ENG.:

CONTR.:

PROJECT:

EDR:

ECN:

JOB:

DATE:

DWN.:

DWG.: