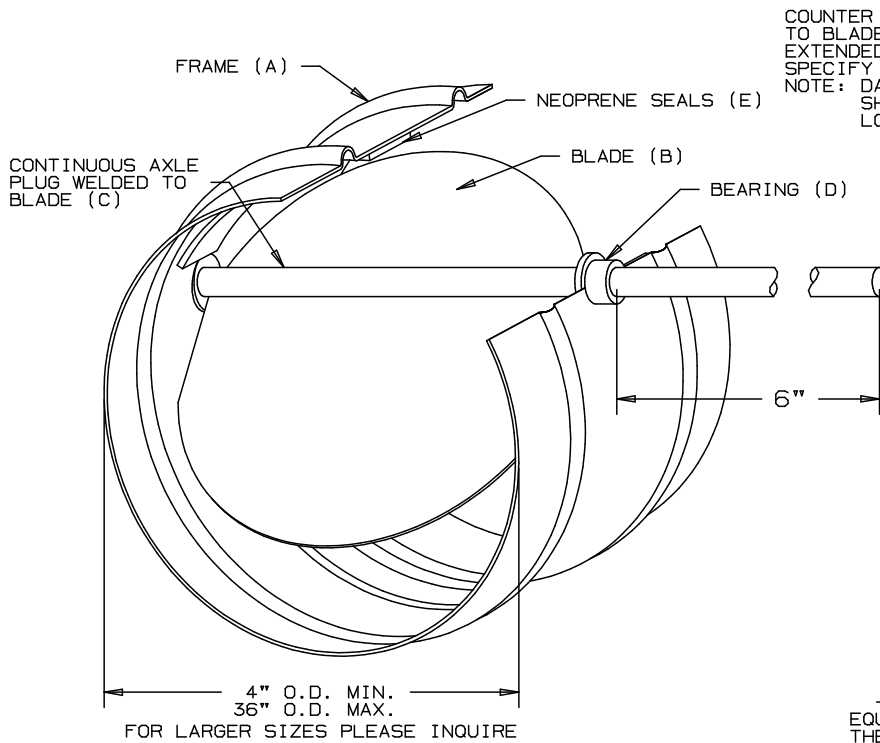


ARROW

ROUND BACKDRAFT
DAMPERS

TYPE 388 - GALV. STEEL
TYPE 389 - ALUMINUM
TYPE 390 - STAINLESS STEEL



COUNTER BALANCE AVAILABLE MOUNTED TO BLADE OR INSTALLED ON SHAFT EXTENDED FROM DAMPER. (PLEASE SPECIFY TO ASSIST OR RESIST OPENING). NOTE: DAMPER SIZES 12" DIA. AND LESS SHALL HAVE A COUNTER BALANCE LOCATED ON AN EXTENDED SHAFT ONLY.

UNLESS OTHERWISE SPECIFIED, 1/8" WILL BE DEDUCTED FROM ORDERED SIZES.

OPTIONAL FLANGED FRAME

EQUAL LEG ANGLES ARE AVAILABLE. THEY ARE WELDED TO FRAMES AT INTERMITTENT SPACING AND CAULKED BETWEEN WELDS. FLANGE HEIGHT "D" VARIES WITH DAMPER DIAMETER.

TYPE 388 GALV. STEEL

TYPE 389 ALUMINUM

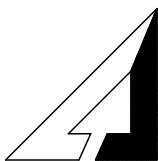
TYPE 390 STAINLESS STEEL

- | | | |
|--|--|--|
| (A) FRAME : 16 GA. GALVANIZED STEEL. x 7 1/2" DEEP. | (A) FRAME : .080" THK. ALUMINUM. x 7 1/2" DEEP. | (A) FRAME : 16 GA. STAINLESS STEEL. x 7 1/2" DEEP. |
| (B) BLADE: 16 GA. GALVANIZED STEEL. ABOVE 18" DIA. - BLADE IS REINFORCED. | (B) BLADE: .080" THK. ALUMINUM. ABOVE 18" DIA. - BLADE IS REINFORCED. | (B) BLADE: 16 GA. STAINLESS STEEL. ABOVE 20" DIA. - BLADE IS REINFORCED. |
| (C) AXLE: CONTINUOUS 1/2" DIA. CADMIUM PLATED STEEL. | (C) AXLE: CONTINUOUS 1/2" DIA. ALUMINUM. | (C) AXLE: CONTINUOUS 1/2" DIA. STAINLESS STEEL. |
| (D) BEARINGS: FLANGE BRONZE OILITE. | (D) BEARINGS: FLANGE BRONZE OILITE. | (D) BEARINGS: FLANGE BRONZE OILITE. |
| (E) SEALS: ON FRAME, CLOSED CELL NEOPRENE, 1/4" THK. TEMPERATURE RANGE -35°F TO 180°F. | (E) SEALS: ON FRAME, CLOSED CELL NEOPRENE, 1/4" THK. TEMPERATURE RANGE -35°F TO 180°F. | (E) SEALS: ON FRAME, CLOSED CELL NEOPRENE, 1/4" THK. TEMPERATURE RANGE -35°F TO 180°F. |
| (F) FINISH: GALVANIZED STEEL. | (F) FINISH: MILL. | (F) FINISH: NO 2B TYPE 304 STAINLESS STEEL |

APPROXIMATE SHIPPING WEIGHT (IN LBS.) CAN BE CALCULATED BY MULTIPLYING THE CIRCUMFERENCE (DIA. x 3.141) BY .5 FOR TYPES 388 & 389; .3 FOR TYPE 390.



UNION MADE



ARROW UNITED INDUSTRIES
A DIVISION OF MESTEK, INC.

450 RIVERSIDE DRIVE
WYALUSING, PA 18853

TEL: (570) 746-1888 FAX: (570) 746-9286
WEB ADDRESS: WWW.ARROWUNITED.COM

AGENT: _____

ARCH./ENG.:

CONTR.:

PROJECT:

EDR:

ECN:

JOB:

DATE:

DWN.:

DWG.: