

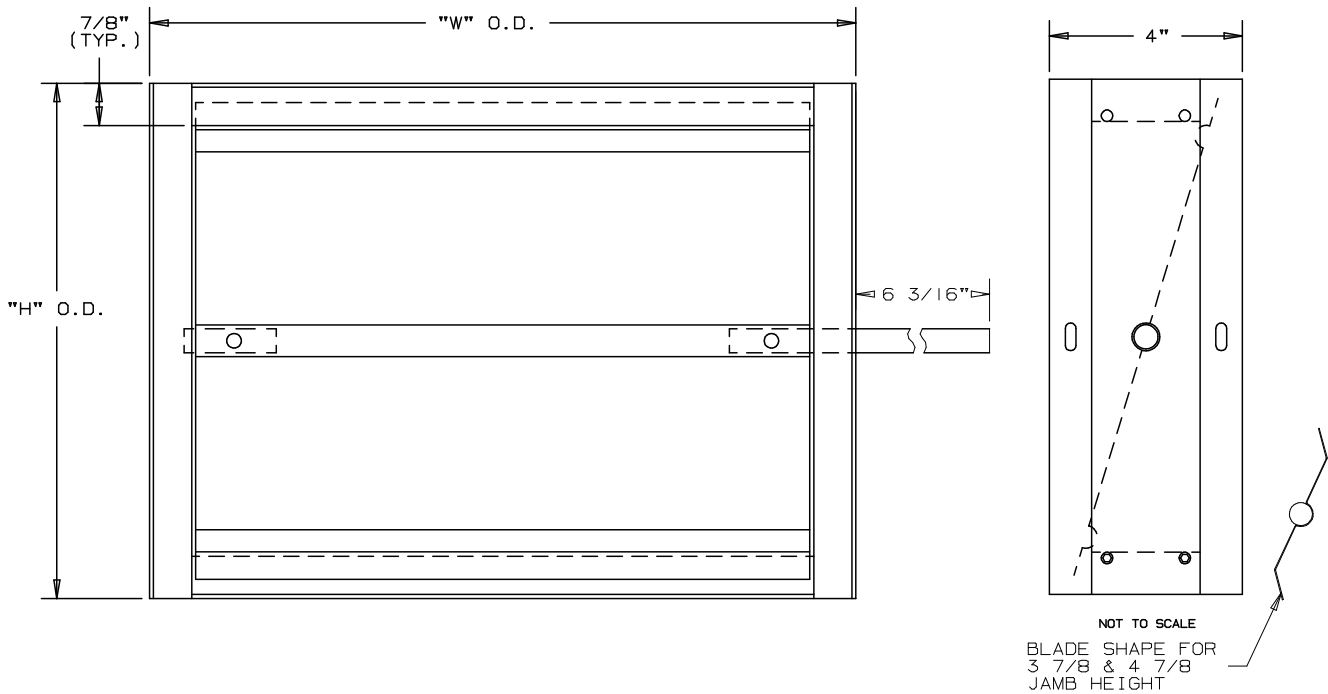
# ARROW BALANCING DAMPER FORMED STEEL

# TYPE 150VCD

## VOLUME CONTROL BALANCING DAMPER FOR USE TO 1" W.G. AND 1500 FPM

DESIGNED FOR MANUAL BALANCING APPLICATIONS

HAT SHAPED FRAME PROVIDES GREATER  
REINFORCEMENT AND EASE OF INSTALLATION



### SPECIFICATIONS

FRAME: 16 GA. GALVANIZED STEEL HAT SHAPE  
FURNISHED WITH PRE-PUNCHED MOUNTING  
HOLES IN FRAME.

BLADE: 20 GA. GALVANIZED STEEL WITH FORMED  
EDGES AND CENTER BEND.

SHAFT: 1/2" DIA. PLATED STEEL STUB,  
MONO-BOLTED TO BLADE.

BEARING: SWAGED STEEL.

FINISH: FACTORY MILL.

ACTUATOR: HAND QUADRANT, SHIPPED LOOSE  
FOR FIELD MOUNTING.

OPERATING TEMPERATURE LIMITS: 250°F

DAMPER SIZE: 6"x4" MINIMUM  
36"x12" MAXIMUM

NOMINAL DEDUCTIONS WILL BE MADE TO THE OPENING SIZE GIVEN.

ITEM	QTY.	DAMPER SIZE		TAGGING	 UNION MADE
		"W" O.D.	"H" O.D.		
 <b>ARROW UNITED INDUSTRIES</b> A DIVISION OF MESTEK, INC. 450 RIVERSIDE DRIVE WYALUSING, PA 18853 TEL: (570) 746-1888 FAX: (570) 746-9286 WEB ADDRESS: WWW.ARROWUNITED.COM AGENT: _____				CONTR.:	
				CUST.:	
				PROJECT:	
				EDR:	ECN:      JOB:
				DATE:	DWN.:      DWG.: