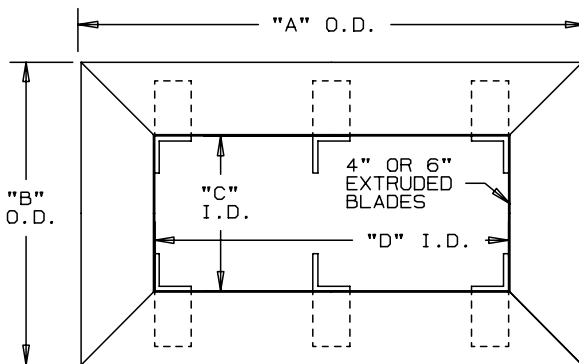
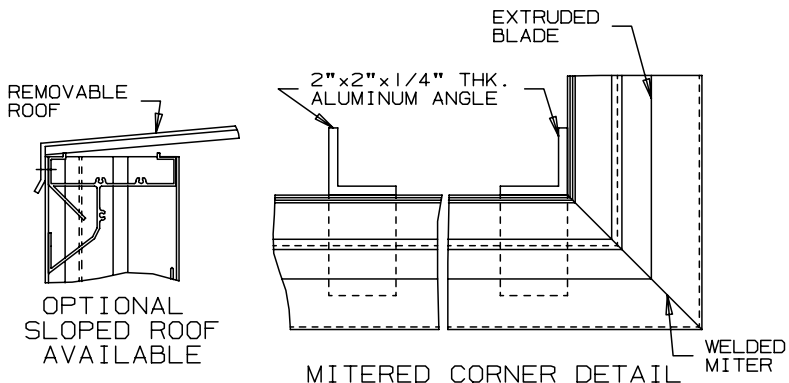
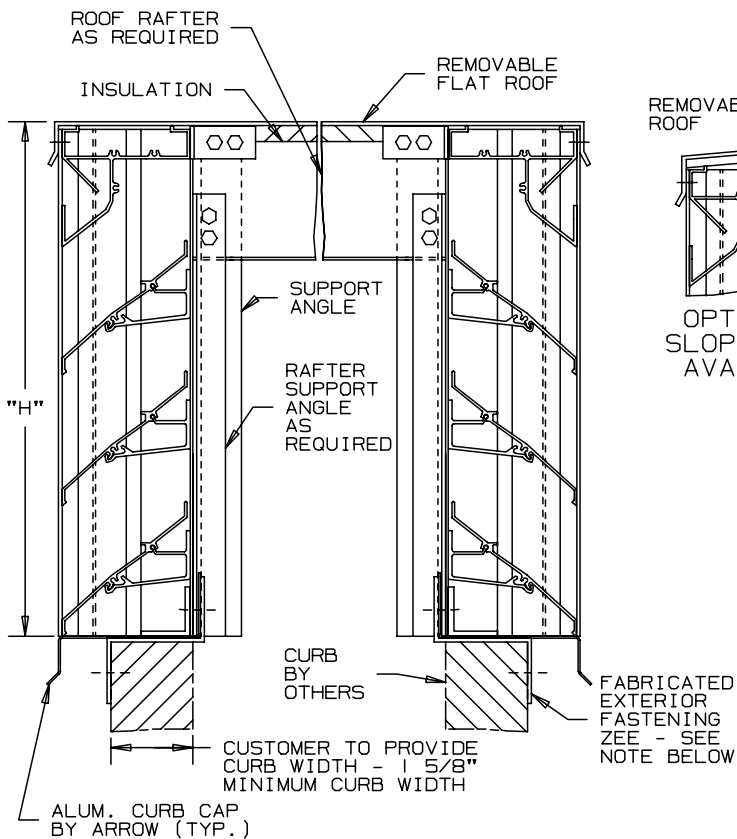


ARROW

LOUVERED PENTHOUSES EXTRUDED ALUMINUM 4" AND 6" DEEP BLADES

EXTERIOR FASTENING INSTALLATION MITERED CORNER - "J/K" BLADE - STATIONARY



CONTINUOUS ANGLES AT THE FOUR CORNERS AND INTERMEDIATE AS REQUIRED.

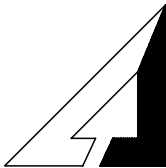
*NOTE:
EXTERIOR MOUNTING ZEE CLIPS SUPPLIED 2" LONG, SPACED NO MORE THAN 4" FROM EACH CORNER AND 12" O.C. MAXIMUM.

4" DEEP	6" DEEP
SPH-20-F "J/K" BLADE	SPH-20-F-6 "J/K" BLADE

SPECIFICATIONS

MATERIAL: EXTRUDED ALUMINUM SECTIONS OF () .081", () .125" THICKNESS OF 6063-T52/T6 ALLOY. WITH REINFORCING RIB BOSSES.
ROOF: REMOVABLE ROOF .060" THK. SHEET ALUMINUM REINFORCED WITH ALUMINUM BRACING WHERE REQUIRED TO TAKE A SNOW LOAD OF 40 LBS./SQ.FT. PLUS A REQUIRED SAFETY FACTOR.
INSULATION: UNDERSIDE OF ROOF IS LINED WITH 1/2" THK. INSULATION.
SCREENS: (WHEN INDICATED)
 BIRD SCREEN - 1/2" SQUARE MESH, 19 GA. GALVANIZED STEEL, ON INTERIOR.
NOTE: PENTHOUSE DIMENSIONS "A" OR "B" EXCEEDING 84" SHALL BE SHIPPED IN SECTIONS FOR FIELD ASSEMBLY BY OTHERS.

ITEM	QTY.	"A"	"B"	"C"	"D"	"H"	MULL	SCREENS		CURB WIDTH	UNION MADE
								TYPE	LOC		



ARROW UNITED INDUSTRIES
 A DIVISION OF MESTEK, INC.
 450 RIVERSIDE DRIVE
 WYALUSING, PA 18853

TEL: (570) 746-1888 FAX: (570) 746-9286
 WEB ADDRESS: WWW.ARROWUNITED.COM

AGENT: _____

ARCH./ENG. :
CONTR. :
PROJECT :
EDR: ECN: JOB:
DATE: DWN. : DWG. :