

Out of Wall or Floor 1 ½ Hour Rated Curtain Fire Dampers

Fire Damper Models: 119A, 15SA, 17SA, 117A, D19A, 15DA, 17DA, D17A

STANDARD MATERIALS AND CONSTRUCTION

- FRAME:** 22-GA galvanized steel, one-piece rollformed
- BLADE:** 22-GA galvanized steel, curtain type
- FUSIBLE LINK:** UL-Listed 165°F; Replaceable
- CLOSURE SPRINGS:** Heat-treated Type 301 stainless steel constant force coiled negator type
(When Required)
- SLEEVE:** 20-GA galvanized steel
 - 8" long sleeve (1½" grille clearance)
 - 10" long sleeve (3½" grille clearance)
 - 12" long sleeve (5½" grille clearance)
 - 14" long sleeve (7½" grille clearance)
 with a ⅞" front flange.
 Factory Installed Insulation
 on 3 sides for vertical
 on 4 sides for horizontal

FINISH: Mill

OPTIONS

- Sleeve Gauge 18, 16, or 14
- 212°F Replaceable Fuse Link
- PK1202 Position Indicator Switch
- B-Pan, Round, Oval, or Square Transitions
(non-flange side only)
- Tab-Lock Retaining Angles

NOTES

Dampers are provided ¼" undercut.

DAMPER SIZES

Model	Maximum Panel/Assy.
Static Rated (Vertical)	36"W x 42"H
Dynamic Rated (Vertical)	36"W x 36"H
Static Rated (Horizontal)	36"W x 42"H
Dynamic Rated (Horizontal)	36"W x 36"H

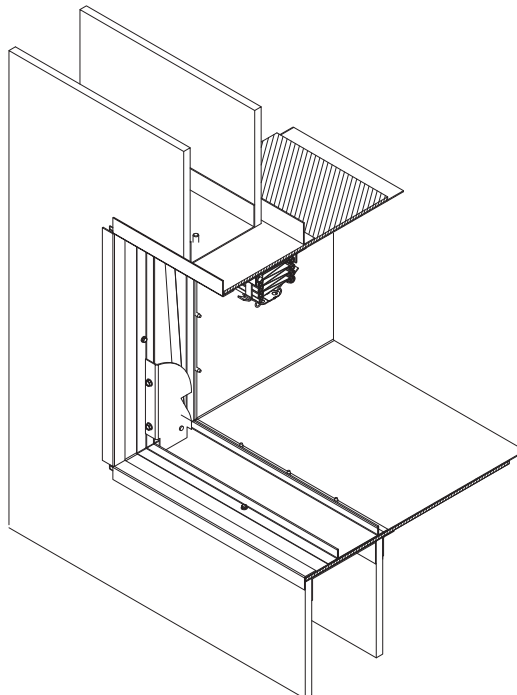
A Dimension	B Dimension
8" long sleeve	1-½" grille clearance
10" long sleeve	3-½" grille clearance
12" long sleeve	5-½" grille clearance
14" long sleeve	7-½" grille clearance

UNDERWRITERS LABORATORIES INC.®
 CLASSIFIED FIRE DAMPER
 FIRE RESISTANCE RATING 1½ HR



This fire damper meets the construction and performance requirements of:

- Underwriters Laboratories Inc. Standard 555
- National Fire Protection Association Standard 80 and 90A
- ICC's International Building Code
- California State Fire Marshal Listed
- Underwriters Laboratories Inc. Classified for use in fire resistive ratings of less than 3 hours.



Out of Wall or Floor 1 ½ Hour Rated Curtain Fire Dampers

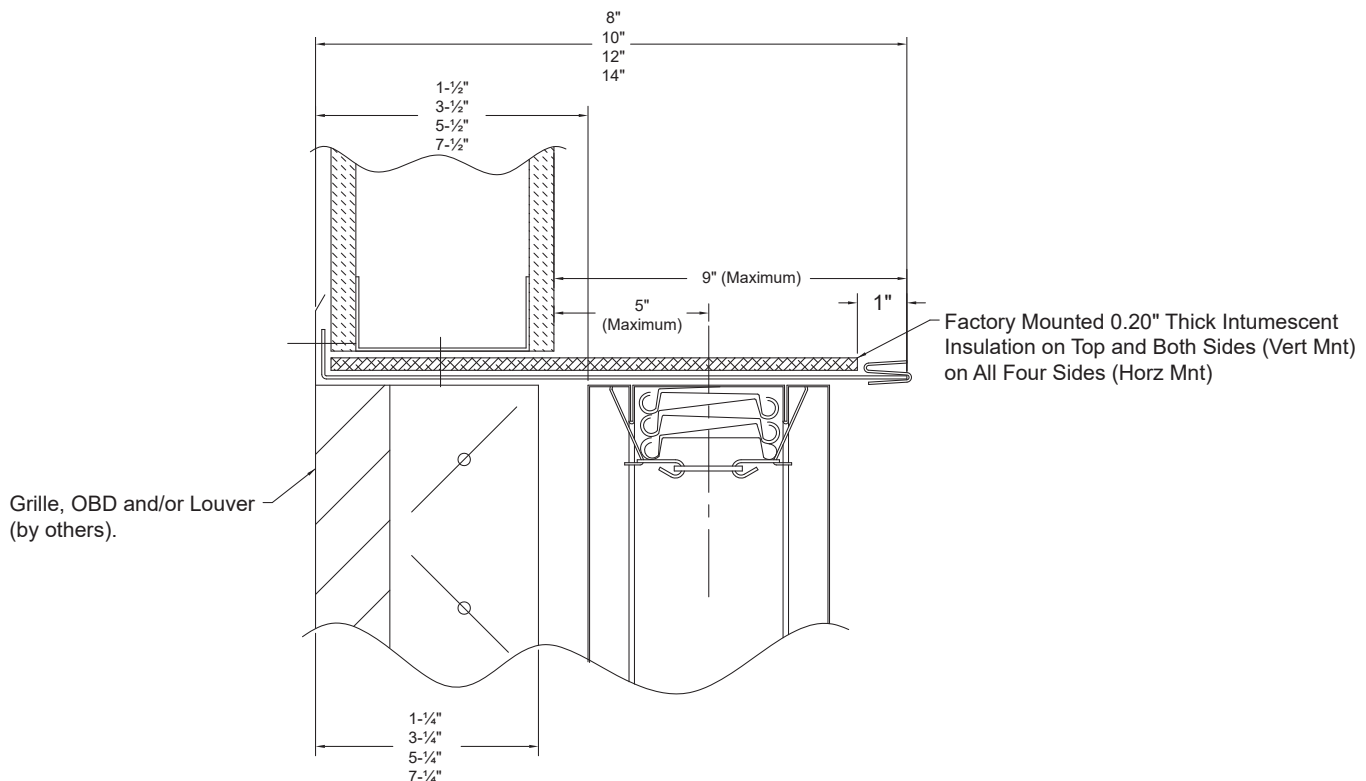
Fire Damper Models: 119A, 15SA, 17SA, 117A, D19A, 15DA, 17DA, D17A

APPLICATION

This fire damper is intended to restrict the passage of flame. These installations allow the damper to be positioned so that the closed plane of the blades extends beyond the less than 3 hour rated wall or floor. Wall construction can be masonry/ concrete or metal or wood framed gypsum wallboard construction. Floor construction must be masonry/concrete construction. These instructions are supplemental to instructions II-FD-1.5.

NOTES

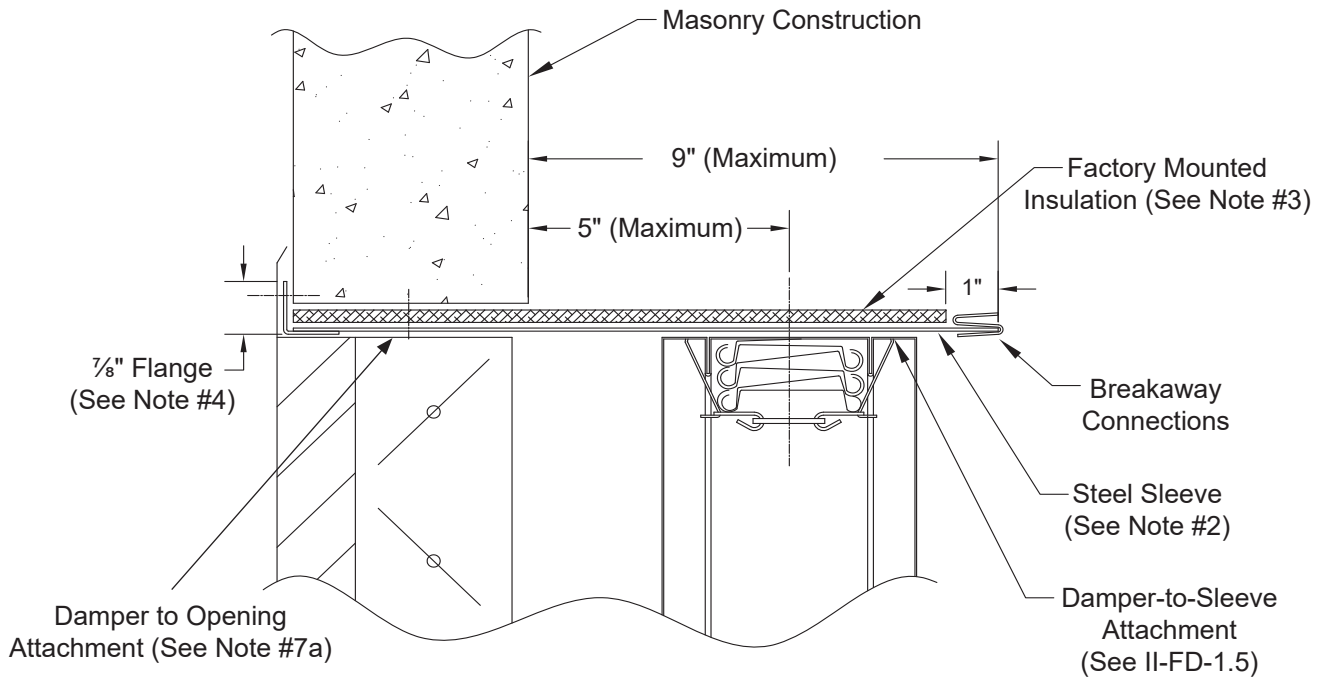
1. **Opening Framing Details:** See II-FD-1.5.
2. **Sleeve:** Damper to be factory mounted into an insulated sleeve. Steel sleeve is 20-GA minimum, 14-GA maximum.
3. **Sleeve Insulation:** Insulation is factory mounted 0.20" thick intumescent insulation on top and both sides when damper is wall mounted, on all four sides when floor mounted. It is attached to the damper sleeve with either a double row of flat head screws on 24" maximum c/c or a double row of self-piercing steel rivets on 8" maximum c/c.
4. **Flange:** ½" x 16-GA steel spot welded or Tog-L-Loc'ed to the sleeve or integral part of sleeve.
5. **Grille:** A minimum 26-GA steel frame is required, core of grille can be aluminum or nonmetallic. If a thinner or non-steel grille frame is used, then open corners of flanged sleeve must be closed off with 20-GA (minimum) steel corner tabs (by others) riveted to flanges.
6. **Opening Size:** No expansion clearance is required, but sufficient clearance between the damper assembly and the opening is required for the insulation and for mounting. The minimum opening width and height shall be ⅜" larger than the nominal damper width and height. The maximum opening width and height shall be no more than ⅝" larger than the nominal damper width and height.
7. **Mounting Damper to Opening:**
 - a. Flange mounted in metal framed gypsum wallboard or masonry/concrete construction -- This installation requires no perimeter mounting angles. Insert the damper into the opening until the flange contacts the face of the wall or top face of floor. Through the grille clearance area of the sleeve, secure the damper assembly to the metal framing using #10 steel screws 12" c/c (maximum), 6" (maximum) from each corner, minimum of one fastener per side. For masonry construction, use #10 (minimum) steel concrete screws or anchors 12" c/c (maximum), 6" (maximum) from each corner, minimum one fastener per side.
 - b. Un-flanged mounted and flanged mounted into wood frame construction -- These installations require at least one set of perimeter mounting angles. Perimeter angles a minimum size of 1-½" x ⅝" x 16-GA with the 1-½" leg overlapping the opening. Angles attached to the damper sleeve only using #10 steel sheet metal screws or ⅜" steel rivets at 6" (maximum) c/c.
8. **Ramp/Lock Orientation:** When the damper is supplied with closure springs, to facilitate reopening the teeth of the two ramps/locks, are to point away from the grille.



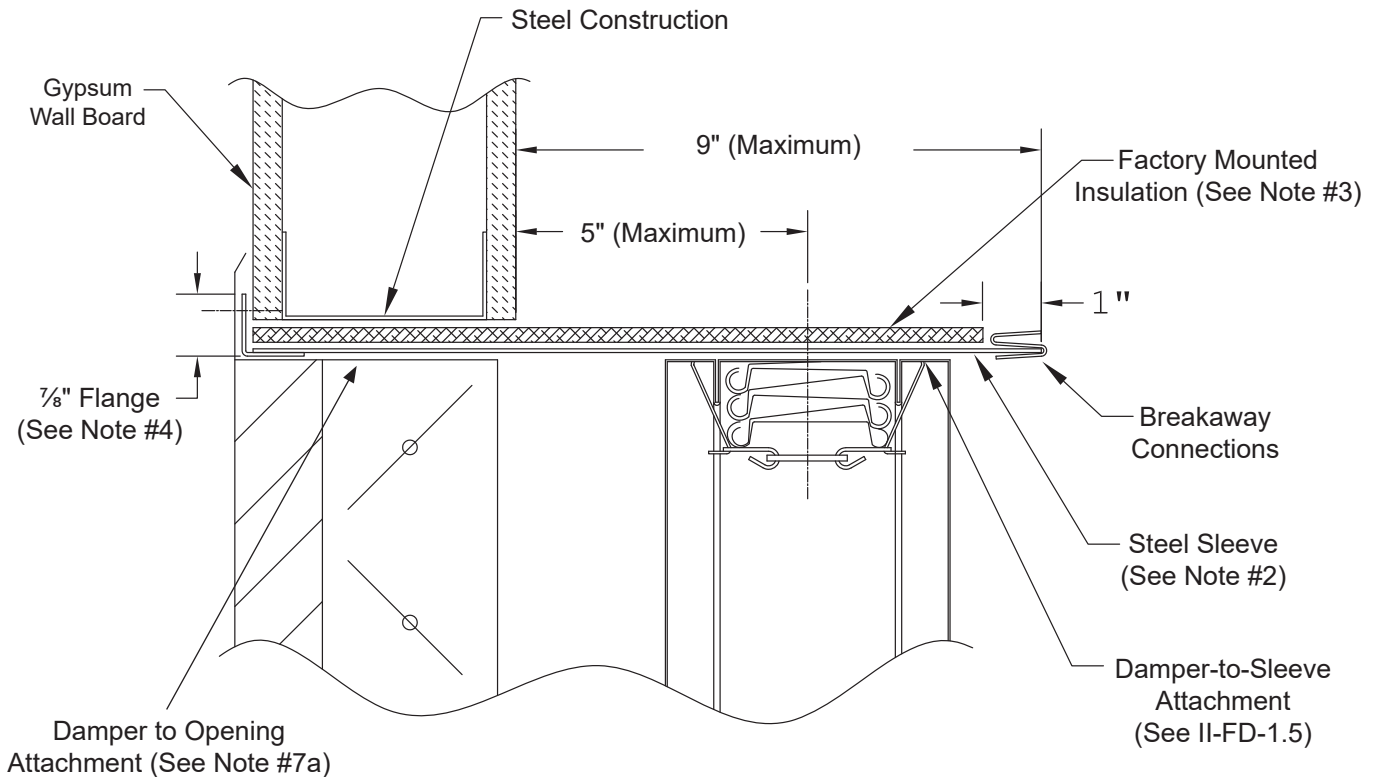
Out of Wall or Floor 1 ½ Hour Rated Curtain Fire Dampers

Fire Damper Models: 119A, 15SA, 17SA, 117A, D19A, 15DA, 17DA, D17A

OUT OF WALL for MASONRY OPENING



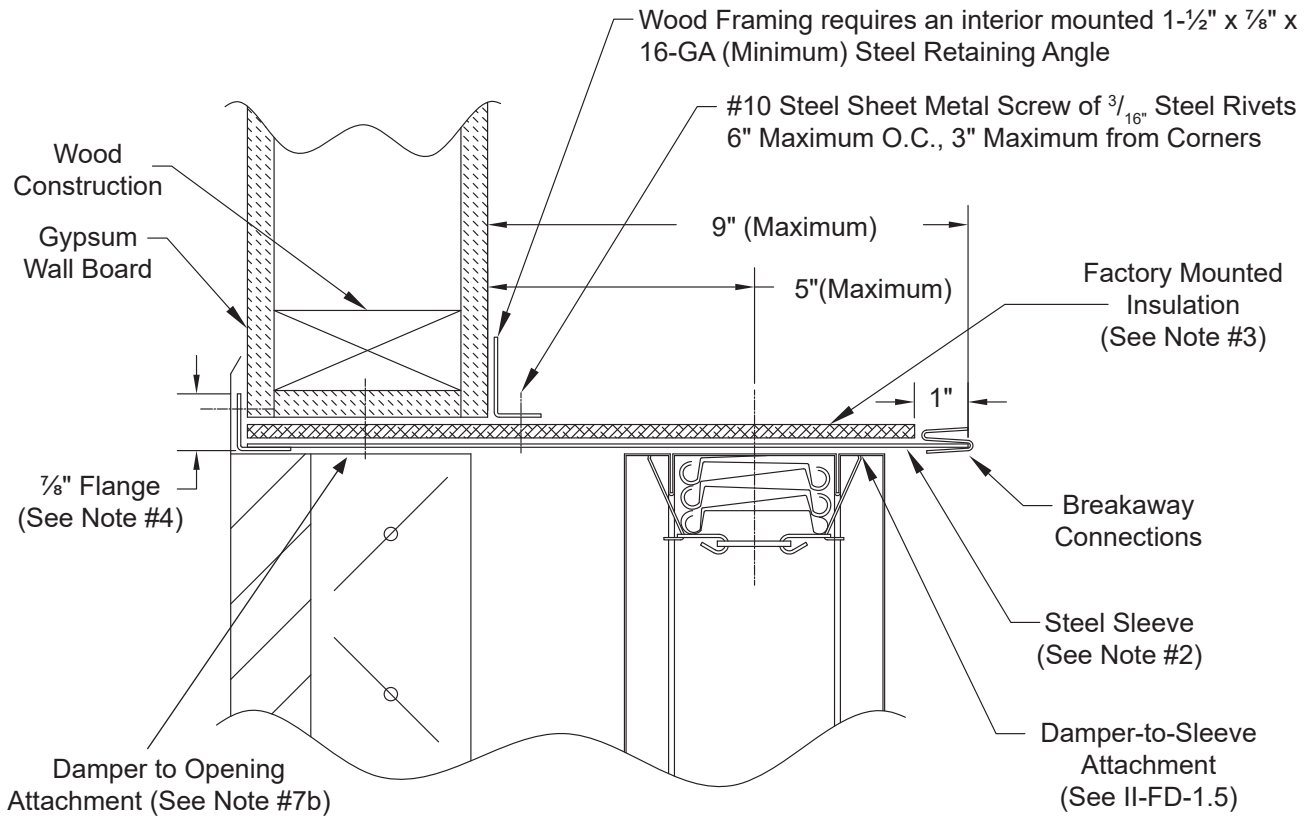
OUT OF WALL for STEEL FRAMED OPENING



Out of Wall or Floor 1 1/2 Hour Rated Curtain Fire Dampers

Fire Damper Models: 119A, 15SA, 17SA, 117A, D19A, 15DA, 17DA, D17A

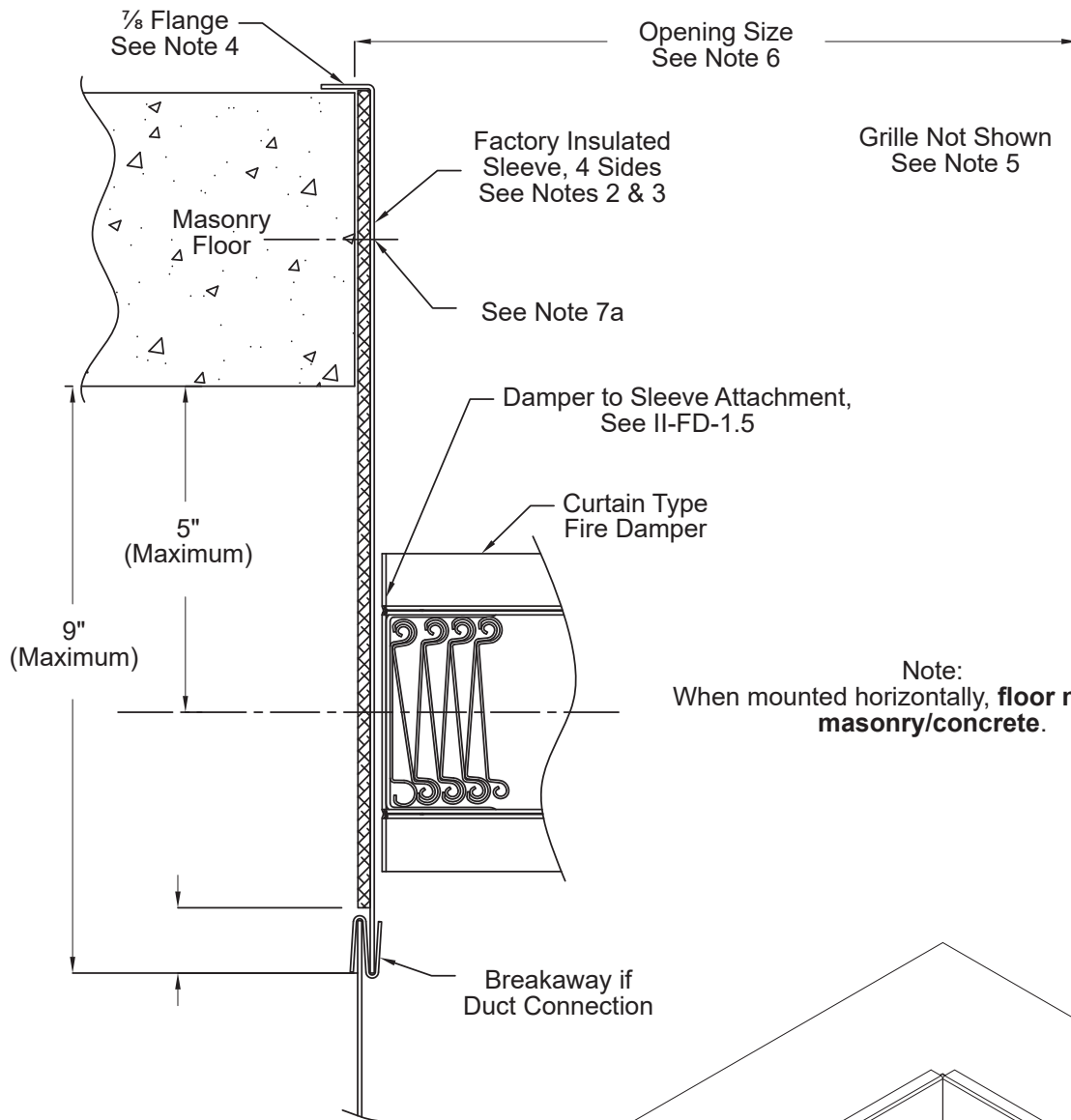
OUT OF WALL for WOOD FRAMED OPENING



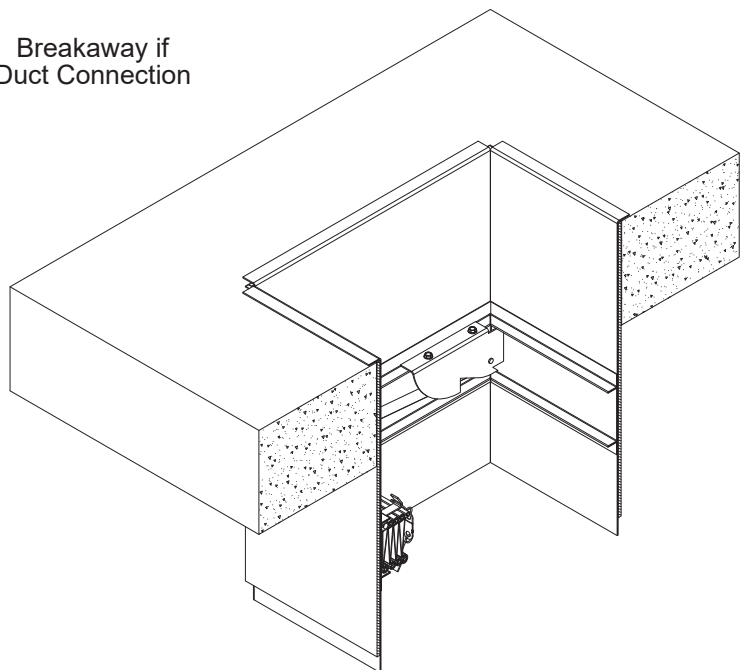
Out of Wall or Floor 1 1/2 Hour Rated Curtain Fire Dampers

Fire Damper Models: 119A, 15SA, 17SA, 117A, D19A, 15DA, 17DA, D17A

OUT OF FLOOR FLANGED MOUNTED



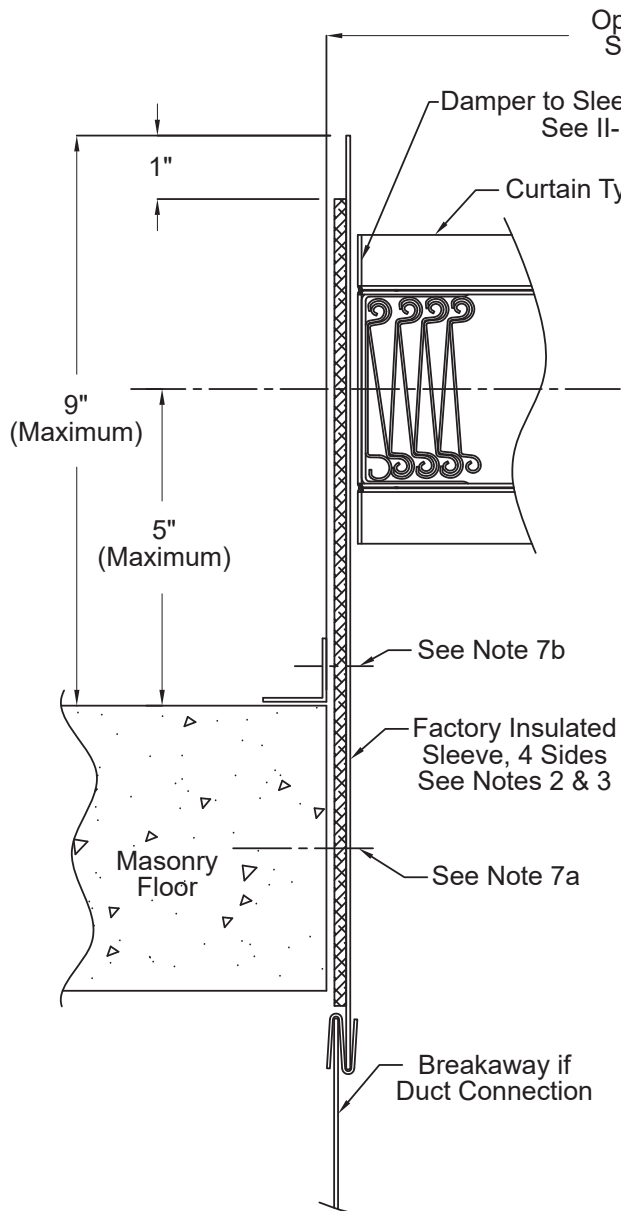
Note:
When mounted horizontally, floor must be of masonry/concrete.



Out of Wall or Floor 1 1/2 Hour Rated Curtain Fire Dampers

Fire Damper Models: 119A, 15SA, 17SA, 117A, D19A, 15DA, 17DA, D17A

OUT OF FLOOR UN-FLANGED



Notes:
 When mounted horizontally;
 Floor must be of masonry/
 concrete.

Damper may be above the
 floor (as shown) or below the
 floor so long as the blade
 centerline does not exceed 5"
 from the nearest floor face.

In-lieu of fasteners into
 concrete, a second set of
 perimeter angles on the
 bottom of the floor can be
 used, see note 7b.

Note:
 When mounted horizontally, **floor must be of
 masonry/concrete.**

