

# ARROW

LOUVERED PENTHOUSES  
EXTRUDED ALUMINUM

# TYPE SEP-45-S

## SMOKE EVACUATION PENTHOUSE

### SPECIFICATIONS

LOUVER: EXTRUDED ALUMINUM 6063-T6/T52 ALLOY,  
FRAME AND BLADE ARE .080" THK. W/ POST  
CORNER CONSTRUCTION

SCREEN: (WHEN INDICATED)  
BIRD SCREEN - 1/2" FLATTENED ALUMINUM, .051" THK.  
OR - 1/2" SQ. MESH INTERMEDIATE DOUBLE-  
CRIMPED ALUMINUM WIRE, .063" DIA.  
OR - 18/16 MESH, .011" DIA. ALUMINUM  
WIRE INSECT SCREEN.

FINISH: VARIES

SIZE: 38"x38"x18", SITS ON A CURB 12" - 36" HIGH

CURB: 12 GA. GALVANNEAL, GALVANIZED STEEL OR  
1/8" THK. ALUMINUM W/ 4" MOUNTING FLANGE,  
WELDED CONSTRUCTION

ROOF: .060" THK. FORMED ALUMINUM WITH 1/2" THK.  
RIGID INSULATION

POST CORNER: .080" THK. FORMED ALUMINUM

GLASS: 1/8" THK. ANNEALED GLASS

ROOF OPENING: 28"x28" MINIMUM, 38"x38" MAXIMUM

LOUVER DETAILS  
MODEL: EA-405

SIZE: 30" x 18" (3) THREE REQ'D

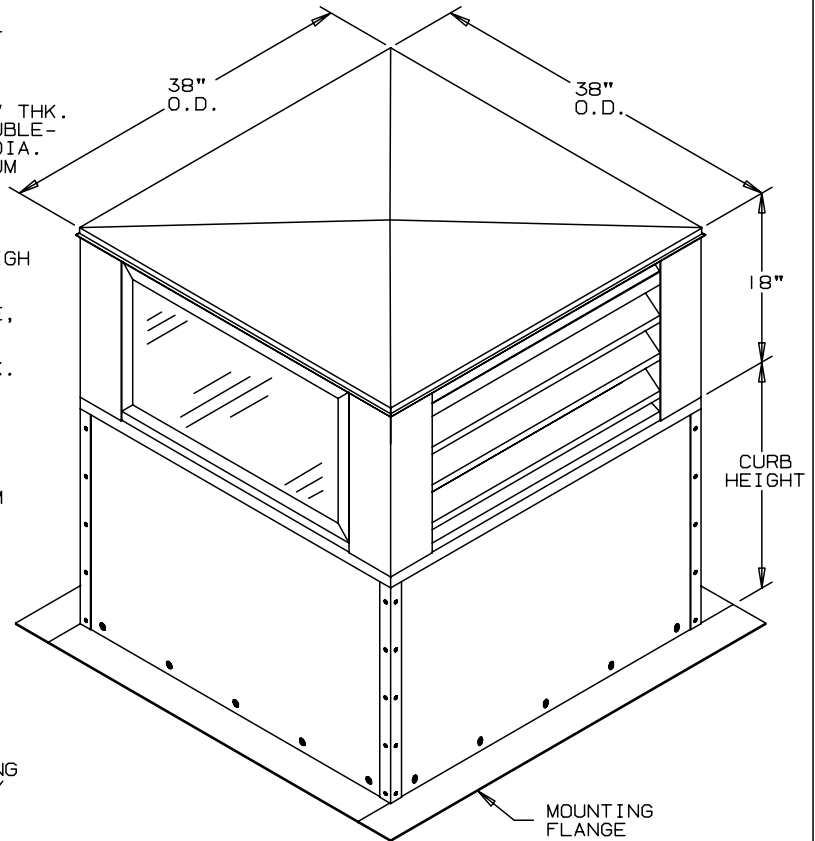
FREE AREA: 4.905 SQ. FT. TOTAL

DAMPER DETAILS  
MODEL: AIR BALANCE MODEL SIH CLASS I  
- 250° SMOKE DAMPER

SIZE: 26"x26" O.D. NOMINAL

ACTUATOR: INTERNALLY MOUNTED POWER CLOSE SPRING  
OPEN (FAIL OPEN) 120 VAC ACTUATOR W/  
OPEN / CLOSED INDICATOR

CORE AREA: 4.38 SQ. FT.



- NOTES:
1. ACTUATOR ACCESS DOOR IN DUCTWORK SUPPLIED AND INSTALLED BY OTHERS.
  2. HINGED LOUVER WITH HASP OR SURFACE MOUNT LATCH IN PLACE OF ANNEALED GLASS IS AVAILABLE AS AN OPTIONAL FEATURE.

ITEM	QTY.	WIDTH	HEIGHT	CURB	GLASS	HINGED				
		ROOF OPENING		HEIGHT	ACCESS	ACCESS		TAGGING		



**ARROW UNITED INDUSTRIES**  
A DIVISION OF MESTEK, INC.  
450 RIVERSIDE DRIVE  
WYALUSING, PA 18853  
TEL: (570) 746-1888 FAX: (570) 746-9286  
WEB ADDRESS: WWW.ARROWUNITED.COM

AGENT: \_\_\_\_\_

ARCH./ENG. :
CONTR. :
PROJECT :
EDR: ECN: JOB:
DATE: DWN. : DWG. :

# ARROW

LOUVERED PENTHOUSES  
EXTRUDED ALUMINUM

TYPE  
SEP-45-S

## PENTHOUSE OPTIONAL CONSTRUCTION

