

# MODEL ESH-6

Equipment Screen • 6" Deep • 45° Inverted Angle Blades • Sight Proof • Extruded Aluminum

## Standard Materials and Construction

**FRAME:** .125" thick (nominal) extruded aluminum 6063-T52/T6 alloy.

**BLADE:** .125" thick (nominal) extruded aluminum 6063-T52/T6 alloy.  
Blades positioned at 45° angle, spaced approximately 5 3/8" on center with architectural hidden mullions.

**SUPPORTS:** Incorporated rear angle 2" x 2" x 1/4" extruded aluminum blade support to withstand windload of 20 PSF, approximately 90 mph wind. Supports vary as required, per wind load. Spaced on 60" centers.

**SCREEN:** None required.

**FINISH:** Mill

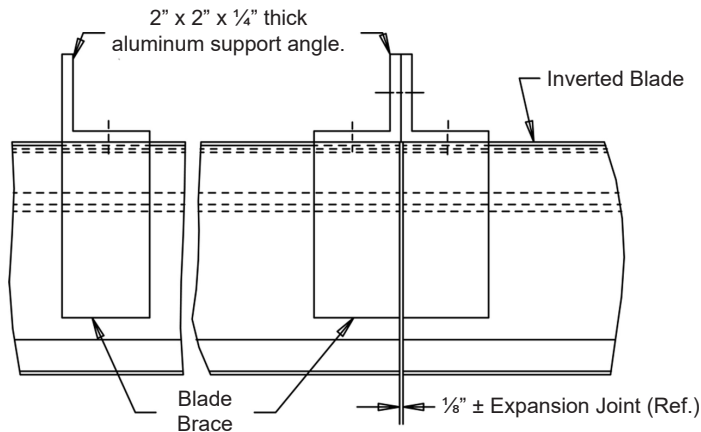
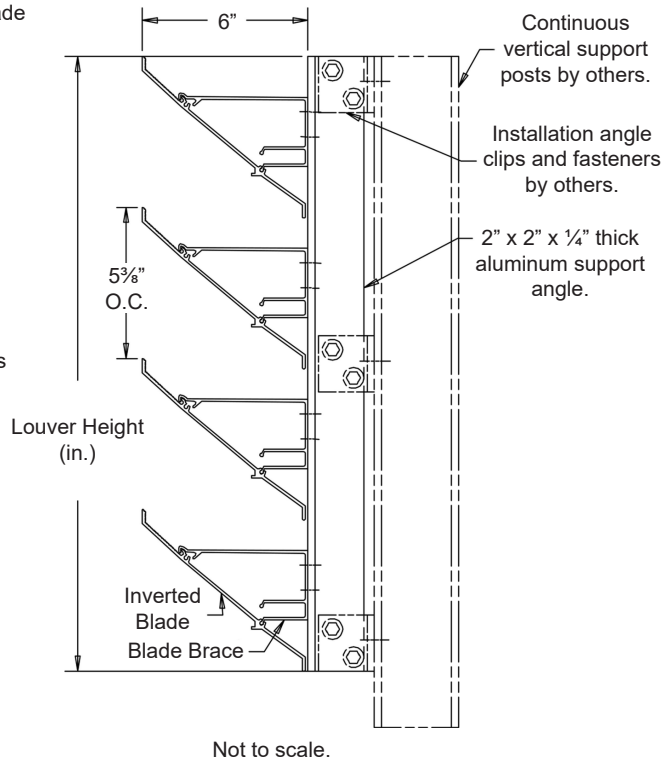
## Options

Variations - Mitered Corner, Post Corner, Hinged Access, and Cap Covers.

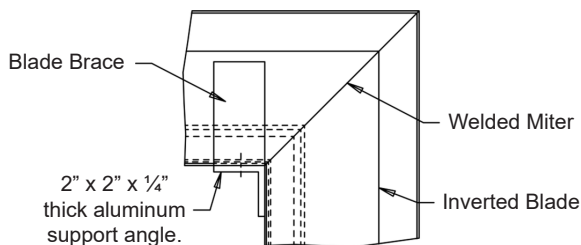
Finishes - Kynar, Baked Enamel, Clear and Color Anodize (Consult the factory for details.)

## Notes

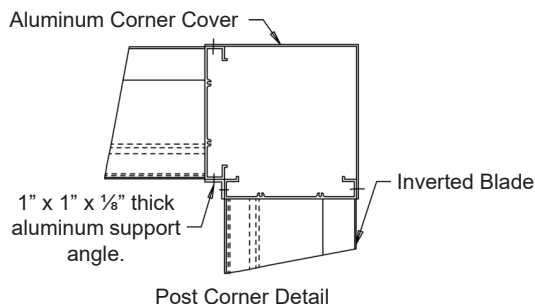
1. Maximum size should not exceed 60 sq. ft. or 120"W x 72"H. Louver sections larger than the factory maximum size will require field assembly of smaller sections.
2. Approximate shipping weight is 3.8 lbs./sq.ft.



Continuous Line Details



Mitered Corner Detail



Post Corner Detail

Item #	Qty	Height	Width	Mullion	Corner Type	Mitered	Post	
		Screen Size						
Arch. / Eng. :		EDR:		ECN:	Job:			
Contractor:								
Project:		Date:		DWN:	DWG:			

**MODEL ESH-6****Equipment Screen • 6" Deep • 45° Inverted Angle Blades • Sight Proof • Extruded Aluminum**Free Area Table

		Free Area (sq. ft.)									
		Width (in.)									
		12"	24"	36"	48"	60"	72"	84"	96"	108"	120"
Height (in.)	12"	.29	.59	.88	1.18	1.47	1.77	2.06	2.36	2.65	2.94
	24"	.88	1.77	2.65	3.53	4.42	5.30	6.18	7.07	7.95	8.83
	36"	1.47	2.94	4.42	5.89	7.36	8.83	10.30	11.78	13.25	14.72
	48"	2.06	4.12	6.18	8.24	10.30	12.36	14.42	16.49	18.55	20.61
	60"	2.94	5.89	8.83	11.78	14.72	17.66	20.61	23.55	26.49	29.44
	72"	3.53	7.07	10.60	14.13	17.66	21.20	24.73	28.26	31.79	35.33
	84"	4.12	8.24	12.36	16.49	20.61	24.73	28.85	32.97	37.09	41.21
	96"	4.71	9.42	14.13	18.84	23.55	28.26	32.97	37.68	42.39	47.10
	108"	5.59	11.19	16.78	22.37	27.97	33.56	39.15	44.75	50.34	55.93
	120"	6.18	12.36	18.55	24.73	30.91	37.09	43.27	49.46	55.64	61.82