

# MODEL ESH-2

Equipment Screen • 2" Deep • 45° Inverted Angle Blades • Sight Proof • Extruded Aluminum

### Standard Materials and Construction

**FRAME:** .063" thick (nominal) extruded aluminum 6063-T52/T6 alloy.

**BLADE:** .063" thick (nominal) extruded aluminum 6063-T52/T6 alloy.  
Blades positioned at 45° angle, spaced approximately 2 3/4" on center with architectural hidden mullions.

**SUPPORTS:** Incorporated rear angle 2" x 2" x 1/4" extruded aluminum blade support to withstand windload of 20 PSF, approximately 90 mph wind. Spaced on 24" centers. Supports vary as required per wind load. Supports vary as required, per wind load. Consult the factory for more options.

**FINISH:** Mill

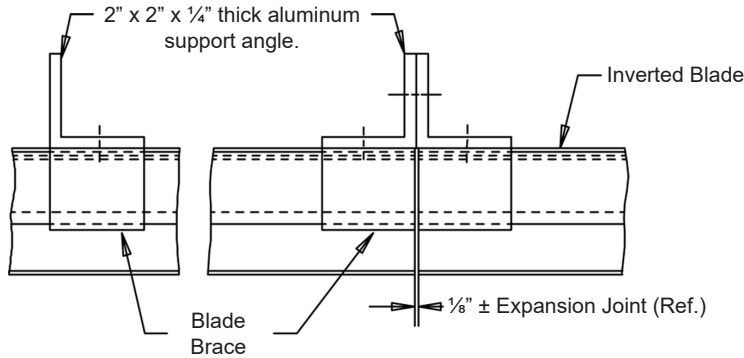
### Options

Variations - Mitered Corner, Post Corner, Hinged Access, and Cap Covers.

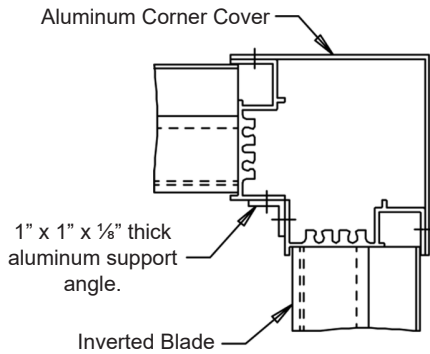
Finishes - Kynar, Baked Enamel, Clear and Color Anodize (Consult the factory for details.)

### Notes

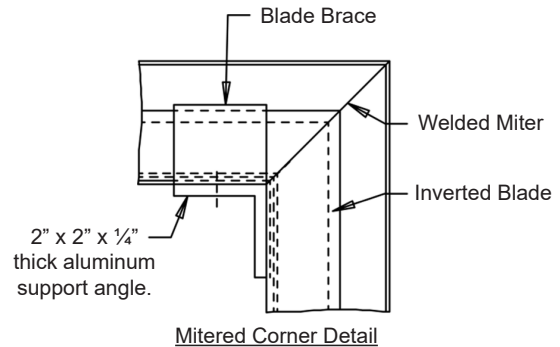
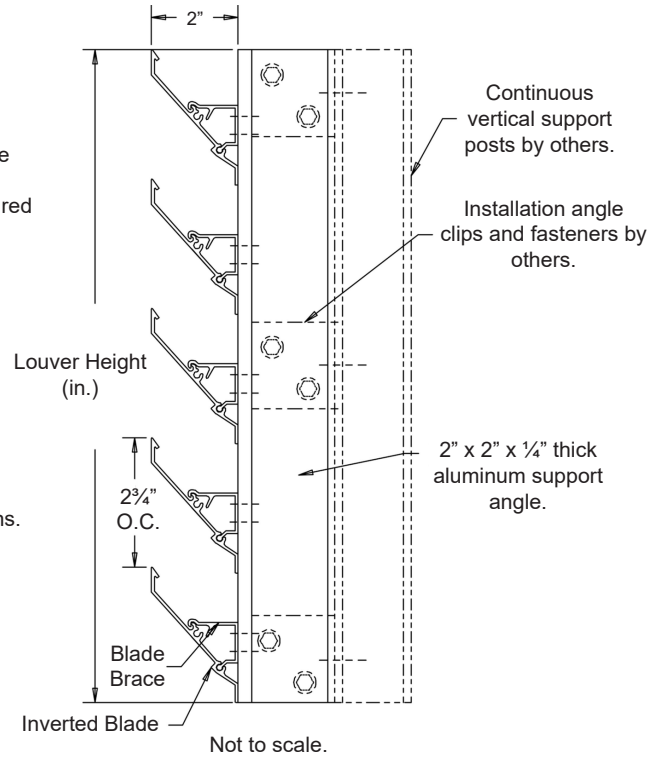
1. Maximum size should not exceed 60 sq. ft. or 120"W x 72"H. Louver sections larger than the factory maximum size will require field assembly of smaller sections.
2. Approximate shipping weight is 3.8 lbs./sq.ft.



Continuous Line Details



Post Corner Detail



Item #	Qty	Height	Width	Mullion	Mitered	Post	Union Made	
		Screen Size			Corner Type			
Arch. / Eng. :				EDR:	ECN:	Job:		
Contractor:								
Project:				Date:	DWN:	DWG:		

**MODEL ESH-2****Equipment Screen • 2" Deep • 45° Inverted Angle Blades • Sight Proof • Extruded Aluminum**Free Area Table

		Free Area (sq. ft.)									
		Width (in.)									
Height (in.)		12"	24"	36"	48"	60"	72"	84"	96"	108"	120"
		12"	.23	.46	.69	.92	1.15	1.38	1.60	1.83	2.06
24"	.69	1.38	2.06	2.75	3.44	4.13	4.81	5.50	6.19	6.88	
36"	1.26	2.52	3.78	5.04	6.30	7.56	8.82	10.08	11.34	12.60	
48"	1.72	3.44	5.16	6.88	8.59	10.31	12.03	13.75	15.47	17.19	
60"	2.18	4.35	6.53	8.71	10.89	13.06	15.24	17.42	19.59	21.77	
72"	2.75	5.50	8.25	11.00	13.75	16.50	19.25	22.00	24.75	27.50	
84"	3.21	6.42	9.63	12.83	16.04	19.25	22.46	25.67	38.88	32.08	
96"	3.67	7.33	11.00	14.67	18.33	22.00	25.67	29.33	33.00	36.67	
108"	4.24	8.48	12.72	16.96	21.20	25.44	29.68	33.92	38.16	42.40	
120"	4.70	9.40	14.09	18.79	23.49	28.19	32.89	37.58	42.28	46.98	