

MODEL EA-150

Extruded Aluminum Louver • 1 1/2" Deep • 30° Baffle Blades • Stationary • Channel Type

Standard Materials and Construction

FRAME: .063" thk. (nominal) extruded aluminum, 6063-T52/T6 alloy.

BLADE: .063" thk. (nominal) extruded aluminum, 6063-T52/T6 alloy.
Blades approximately 1 1/2" on center.

LOUVER FACE: All surfaces are flush, with jambs contained within head and sill.

SCREEN: (When indicated.)
1/2" flattened aluminum (.051" thick),

-or- 1/2" sq. mesh, intermediate double-crimped aluminum wire, .063" dia.,

-or- 18/16 mesh, .011" dia. aluminum wire, insect screen.

FINISH: Mill

Options

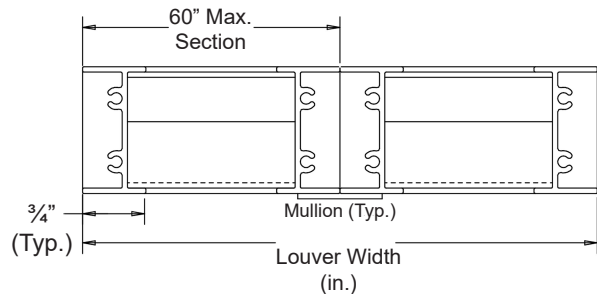
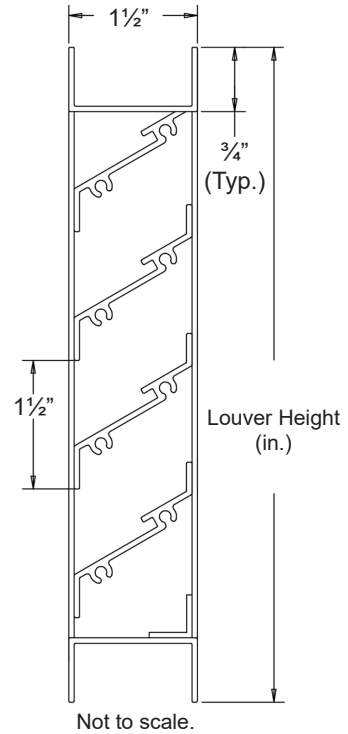
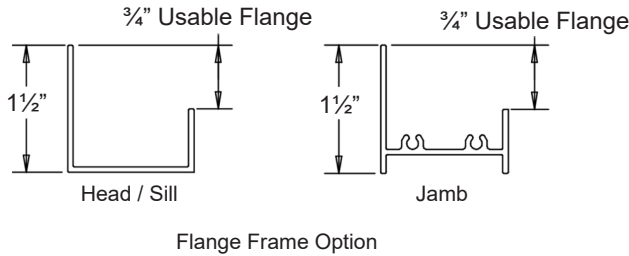
Finish - Baked Enamel, Kynar, Anodize


Notes

- Nominal deductions will be made to the opening size given.
- Approximate shipping weight is 3.8 lbs./sq.ft.

Louver Sizes

| | |
|-------------|------------------|
| Min Panel | Max Single Panel |
| 12"W x 12"H | 60"W x 96"H |



| | | | | | | | | | | |  |
|---------------|-----|--------------|--------|-------------|--------|---------|---------|----------|-------------|---------|---|
| Item # | Qty | Width | Height | Width | Height | Mullion | Type | Location | Intake | Exhaust | |
| | | Opening Size | | Louver Size | | | Screens | | Louver Type | | Union Made |
| Arch. / Eng.: | | | | | | EDR: | | ECN: | | Job: | |
| Contractor: | | | | | | | | | | | |
| Project: | | | | | | Date: | | DWN: | | DWG: | |

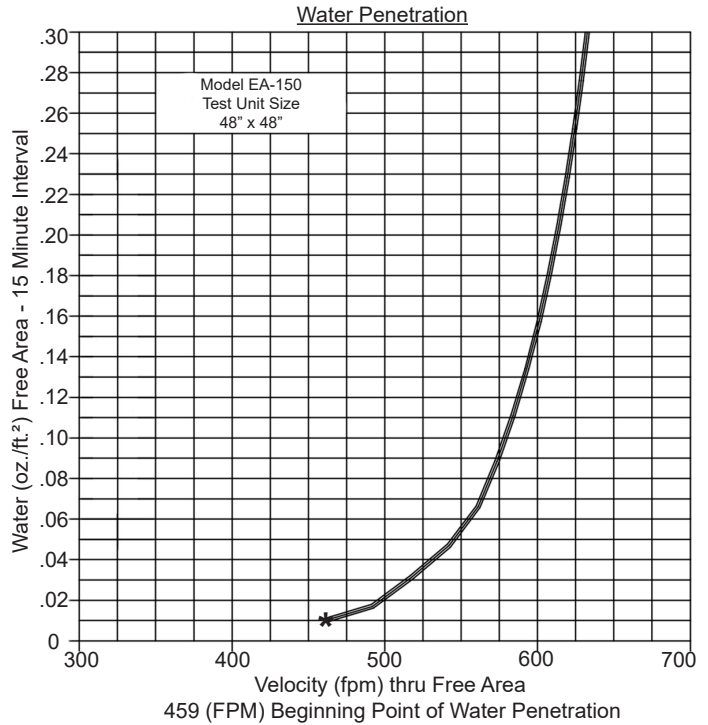
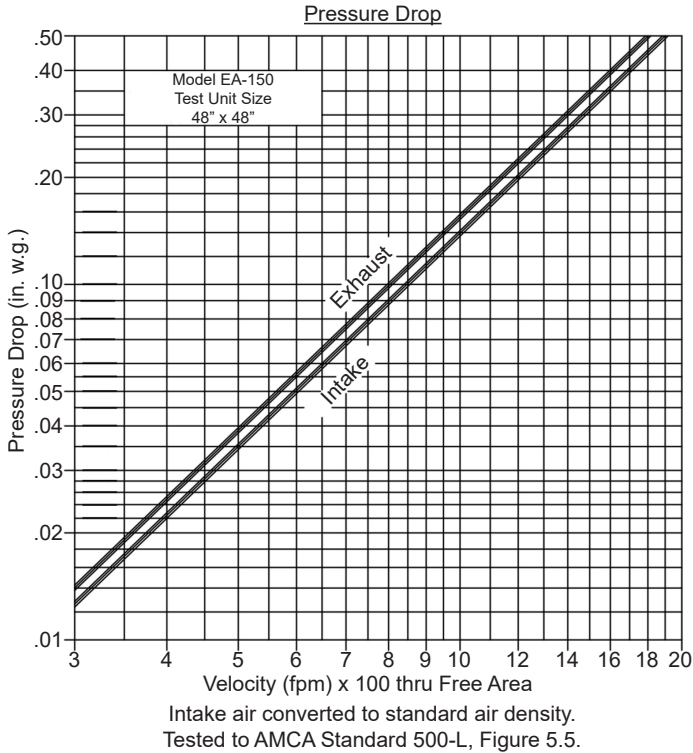
MODEL EA-150

Extruded Aluminum Louver • 1½" Deep • 30° Baffle Blades • Stationary • Channel Type

Performance Data

Pressure Drop: .034 in. w.g. at 495 fpm (Intake)
 Free Area: 7.37 sq.ft. = 46.06% for 48"W x 48"H sample tested in accordance with AMCA Standard 500-L.
 Beginning Point of Water Penetration: 459 fpm

Ratings do not include effects of a screen.



Free Area (sq.ft.)

| | | Width (in.) | | | | | | | | |
|--------------|-----|-------------|------|------|------|-------|-------|-------|-------|-------|
| | | 12" | 18" | 24" | 30" | 36" | 42" | 48" | 54" | 60" |
| Height (in.) | 12" | .33 | .52 | .71 | .90 | 1.09 | 1.28 | 1.47 | 1.66 | 1.85 |
| | 24" | .78 | 1.22 | 1.66 | 2.11 | 2.55 | 2.99 | 3.44 | 3.88 | 4.32 |
| | 36" | 1.22 | 1.92 | 2.61 | 3.31 | 4.01 | 4.70 | 5.40 | 6.10 | 6.80 |
| | 48" | 1.66 | 2.61 | 3.56 | 4.52 | 5.47 | 6.42 | 7.37 | 8.32 | 9.27 |
| | 60" | 2.11 | 3.31 | 4.52 | 5.72 | 6.92 | 8.13 | 9.33 | 10.54 | 11.74 |
| | 72" | 2.55 | 4.01 | 5.47 | 6.93 | 8.38 | 9.84 | 11.30 | 12.76 | 14.22 |
| | 84" | 3.00 | 4.71 | 6.42 | 8.13 | 9.84 | 11.55 | 13.27 | 14.98 | 16.69 |
| | 96" | 3.44 | 5.40 | 7.37 | 9.34 | 11.30 | 13.27 | 15.23 | 17.20 | 19.16 |

AMCA registered laboratory is a laboratory equipped and staffed to conduct tests according to the appropriate AMCA test methods and which has been licensed as an AMCA registered laboratory.

