

MODEL AG-2CL

Grille Screen Louver • 2" to 6" Deep • Angular Continuous Line • Extruded Aluminum

Standard Materials and Construction

FRAME: .125" to .250" thick (nominal) extruded aluminum 6063-T52/T6 alloy.
Grille depth can be 2" to 6" deep.

BLADE: .125" to .250" thick (nominal) extruded aluminum 6063-T52/T6 alloy.
Blades can have 2" to 12" vertical and horizontal spacing and horizontal blade angle from 0° to 45°.

CONSTRUCTION: All welded construction.

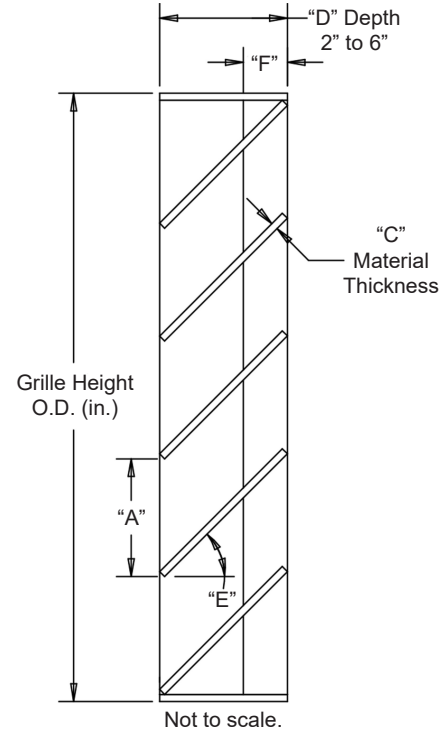
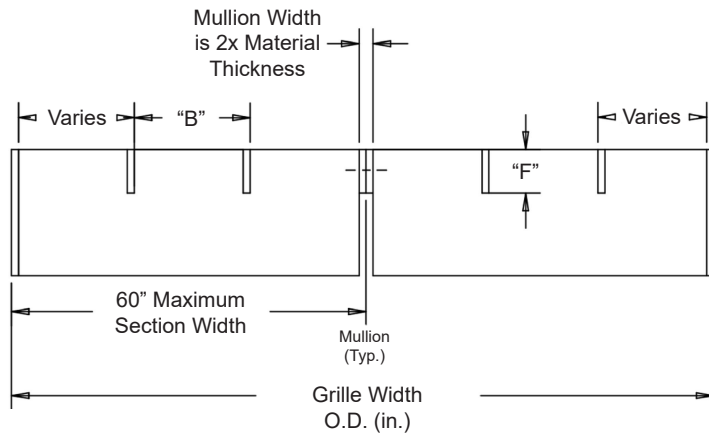
FINISH: Factory mill.

Options

Finishes - Kynar, Baked Enamel, Clear and Color Anodize

Grille Screen Sizes

| Min Panel | Max Single Panel |
|-------------|-------------------------|
| 12"W x 12"H | 60"W x 96"H (40 sq.ft.) |



Optional Frames

- "A" = 2" to 12" (Horizontal Blade Spacing)
- "B" = 2" to 12" (Vertical Blade Spacing)
- "C" = .125" to .250" (Material Thickness)
- "D" = 2" to 6" (Grille Depth)
- "E" = 0° to 45° (Blade Angle)
- "F" = 1" minimum (Vertical Blade Depth)

| Item # | Qty | Horizontal | Vertical | Grille Depth | Material Thickness | Blade Angle | Union Made |
|----------------|-----|---------------|----------|--------------|--------------------|-------------|------------|
| | | Blade Spacing | | | | | |
| Arch. / Eng. : | | | | EDR: | ECN: | Job: | |
| Contractor: | | | | | | | |
| Project: | | | | Date: | DWN: | DWG: | |

