

# MODEL AG-2

Grille Screen Louver • 2" to 6" Deep • Angular Horizontal Bars • Extruded Aluminum

### Standard Materials and Construction

**FRAME:** .125" to .250" thick (nominal) extruded aluminum 6063-T52/T6 alloy.  
Grille depth can be 2" to 6" deep.

**BLADE:** .125" to .250" thick (nominal) extruded aluminum 6063-T52/T6 alloy.  
Blades can have 2" to 12" vertical and horizontal spacing and horizontal blade angle from 0° and 45°.

**CONSTRUCTION:** All welded construction.

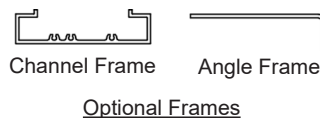
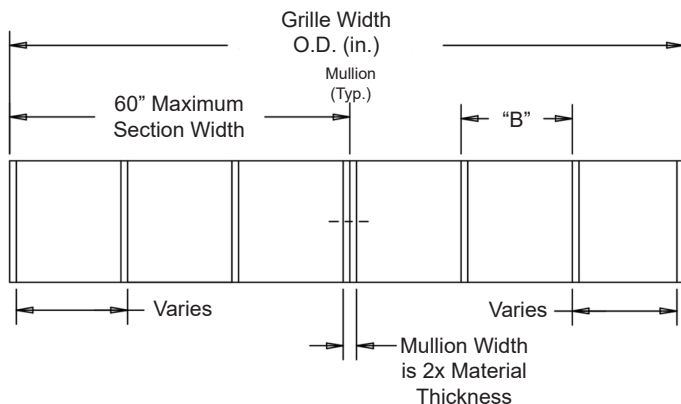
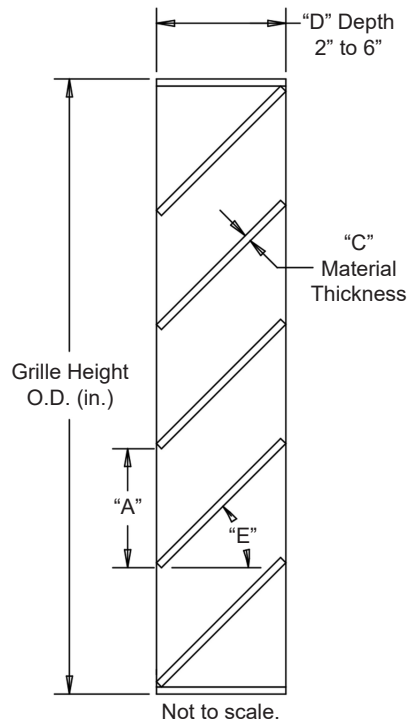
**FINISH:** Factory mill.

### Options

Finishes - Kynar, Baked Enamel, Clear and Color Anodize

### Grille Screen Sizes

Min Panel	Max Single Panel
12"W x 12"H	60"W x 96"H (40 sq.ft.)



- "A" = 2" to 12" (Horizontal Blade Spacing)
- "B" = 2" to 12" (Vertical Blade Spacing)
- "C" = .125" to .250" (Material Thickness)
- "D" = 2" to 6" (Grille Depth)
- "E" = 0° to 45° (Blade Angle)

Item #	Qty	Horizontal	Vertical	Grille Depth	Material Thickness	Blade Angle		Union Made
Arch. / Eng. :		Blade Spacing					EDR:	ECN:
Contractor:								
Project:				Date:	DWN:	DWG:		