

MODEL AG-1

Grille Screen Louver • 1" to 6" Deep • Modular • Extruded Aluminum

Standard Materials and Construction

FRAME: .125" to .250" thick (nominal) extruded aluminum 6063-T52/T6 alloy.
Grille depth can be 1" to 6" deep.

BLADE: .125" to .250" thick (nominal) extruded aluminum 6063-T52/T6 alloy.
Blades have 2" to 12" vertical and horizontal spacing.

CONSTRUCTION: All welded construction.

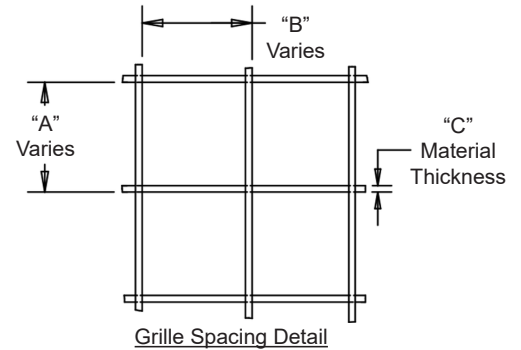
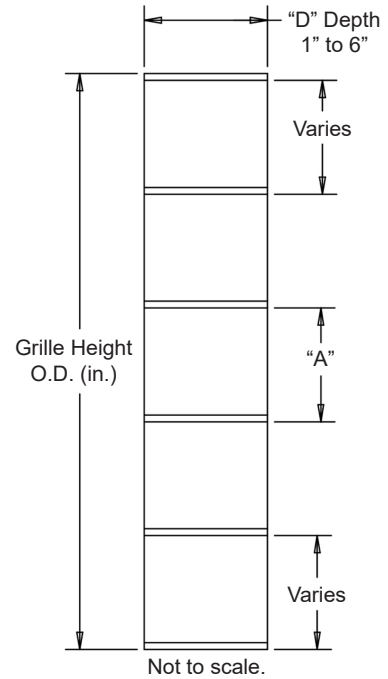
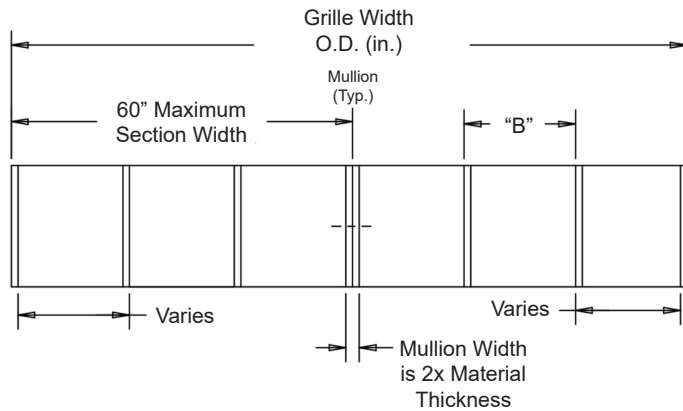
FINISH: Factory mill.

Options

Finishes - Kynar, Baked Enamel, Clear and Color Anodize

Grille Screen Sizes

Min Panel	Max Single Panel
12"W x 12"H	60"W x 96"H (40 sq.ft.)



Optional Frames

"A" = 2" to 12" (Horizontal Blade Spacing)

"B" = 2" to 12" (Vertical Blade Spacing)

"C" = .125" to .250" (Material Thickness)

"D" = 1" to 6" (Grille Depth)

Item #	Qty	Horizontal	Vertical	Grille Depth	Material Thickness	Union Made
		Blade Spacing				
Arch. / Eng. :		EDR:		ECN:	Job:	
Contractor:						
Project:		Date:		DWN:	DWG:	