

Installation of Flanged Duct Connection for UL Dampers

Fire Damper Models: 119, D19, MD19, MA19, 319, D39, MD39, MA39

Fire/Smoke Damper Models: FR, FS, FT, FA, TA

APPLICATION

Breakaway connections are required in order to allow the duct work connecting a fire rated damper sleeve to "breakaway" from the damper sleeve so that the damper remains within the fire rated opening, thus maintaining the integrity of the wall or floor. The flanged connections included here within are UL approved for use as breakaway connections if installed per these installation instructions.

REQUIREMENTS

These instructions apply to a connection between a manufactured flange system by Ductmate, Ward, or Nexus and a TDC or TDF flange system.

1. Per flanged system manufacture's instructions, install the flange system onto the damper sleeve or duct.
2. Seal the two flange systems together with neoprene or butyl gasket.
3. Align the flanges together. An optional $\frac{3}{8}$ " bolt may be used to help alignment.
4. Flange connector to damper sleeve and/or flange connector to flange connector can be caulked using Design Polymeric's DP1010 or Precision's PA2084T.
5. Install the cleat (see Figure 1 and Figure 2), approximately equally spaced, per the schedule described below:
 - Width or height less than 24 in. (610mm); use one cleat per side
 - Width or height 24 in. (610mm) to less than 36 in. (914mm); use 2 cleats per side
 - Width or height 36 in. (914mm) to less than 54 in. (1372mm); use 3 cleats per side
 - Width or height 54 in. (1372mm) to less than 72 in. (1829mm); use 4 cleats per side
 - Width or height 72 in. (1829mm) or greater; use 5 cleats per side.

Figure 1

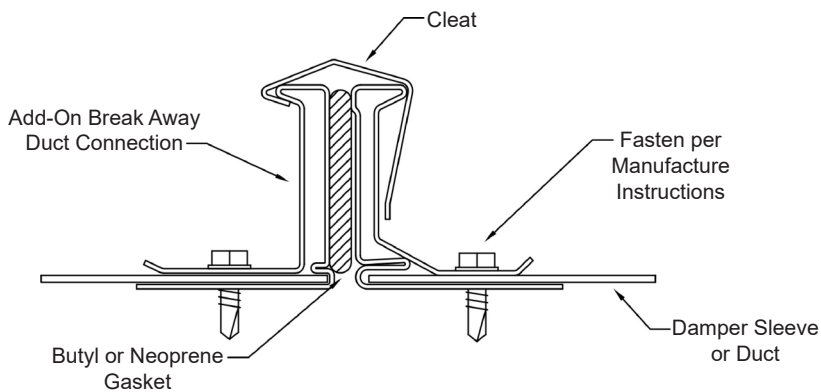


Figure 2

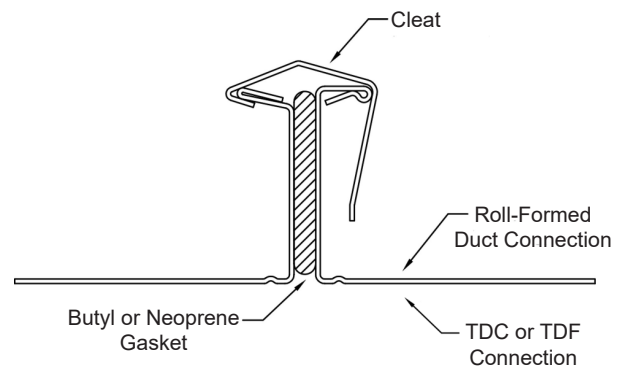


Figure 3

