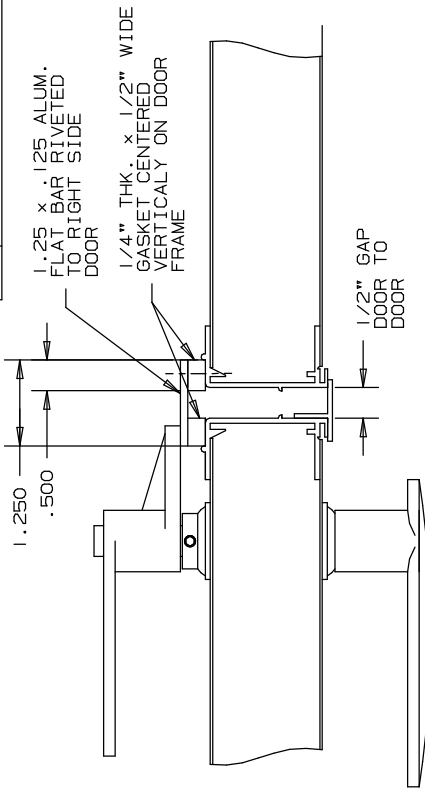
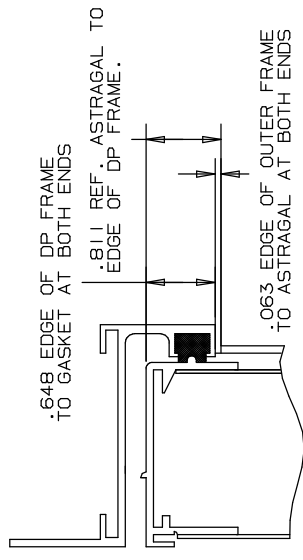


NOTE: THIS PRODUCT IS NOT AIR/WATER LEAK TESTED.

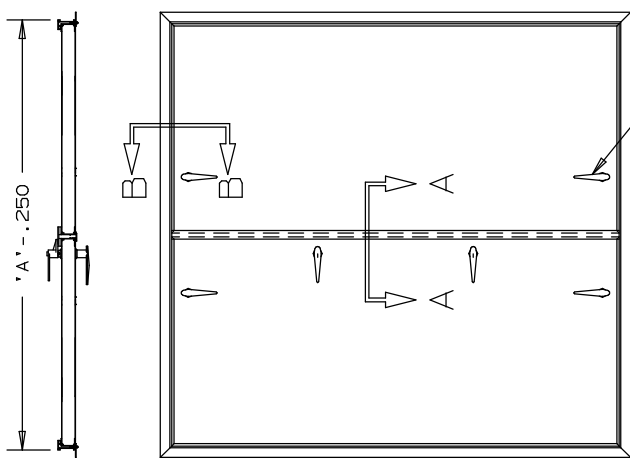
CHG LTR	REVISION	DATE	APVD
---------	----------	------	------



SECTION A-A



SECTION B-B




LATCH QUANTITY AND MOUNTING LOCATION DEPENDENT ON DOOR SIZE

ELEVATION

SIZING CALCULATIONS (BASED ON 1/4" DEDUCT)

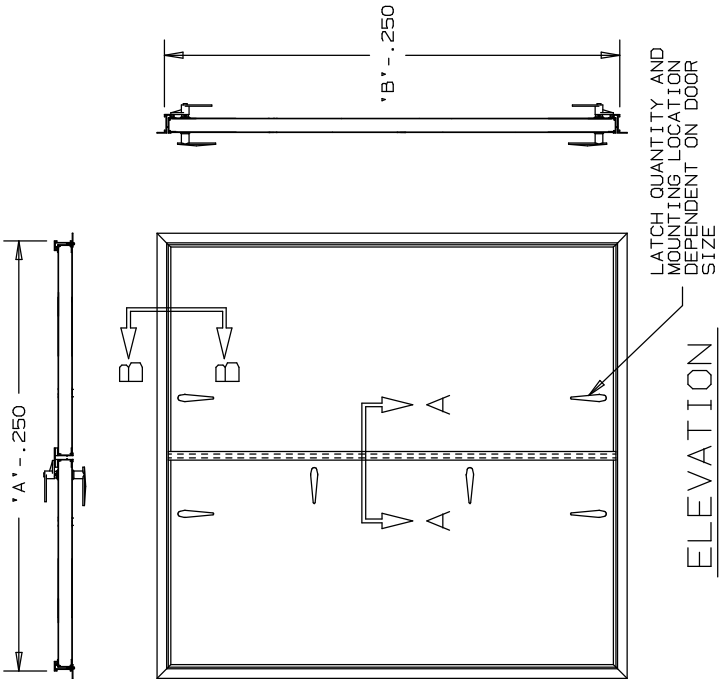
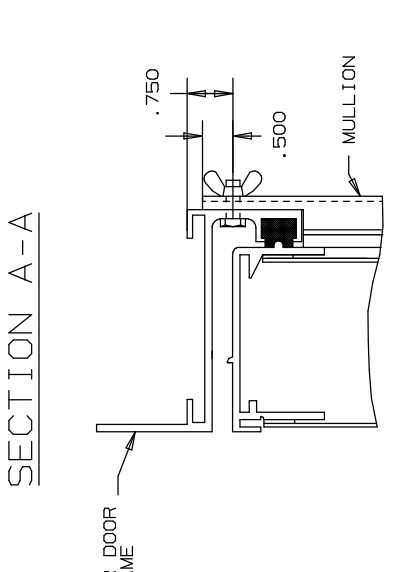
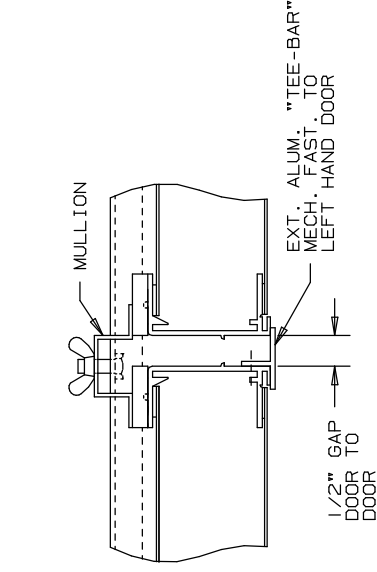
- 'A' = WALL OPENING WIDTH
- 'B' = WALL OPENING HEIGHT
- HORIZONTAL OUTER FRAME LENGTHS (2) = 'A' + 1.722
- VERTICAL OUTER FRAME LENGTHS (2) = 'B' + 1.722
- HORIZONTAL DOOR FRAME LENGTHS (4) = ('A' / 2) - .877
- VERTICAL DOOR FRAME LENGTHS (4) = 'B' - 1.254
- HORIZONTAL I-BEAM = ('A' / 2) - 3.000
- HANDLE SUPPORT I-BEAM LENGTH = 2.000 (1 PER LATCH)
- DOOR PANEL WIDTH = ('A' / 2) - 1.554
- DOOR PANEL HEIGHT = 'B' - 1.931
- ASTRAGAL STOP LENGTH (1) = 'B' - 2.875
- TEE-BAR LENGTH (1) = 'B' - 1.254
- ASTRAGAL GASKET LENGTH (2) = 'B' - 2.550



**ARROW UNITED INDUSTRIES**  
A Division of Mestek, Inc.  
314 Riverside Drive - P.O. Box 69 - Wyatusing, PA 18853  
AGENT:


CUST.	DOUBLE ACCESS DOOR W/ ASTRAGAL
CONTR.	MODEL: AHF10, 15,200
ARCH.	
P.O.	PROJECT
DWN. LIONEZ CARTER	DATE 4/26/02
CKD.	EDR.
	ARROW JOB NO.
	DWG. NO. 9-600
	SHT. OF

1003-B-APRIL-2004



SIZING CALCULATIONS (BASED ON 1/4" DEDUCT)

- \*A' = WALL OPENING WIDTH
- \*B' = WALL OPENING HEIGHT
- HORIZONTAL OUTER FRAME LENGTHS (2) = \*A' + 1.722
- VERTICAL OUTER FRAME LENGTHS (2) = \*B' + 1.722
- HORIZONTAL DOOR FRAME LENGTHS (4) = (\*A'/2) - .877
- VERTICAL DOOR FRAME LENGTHS (4) = \*B' - 1.254
- HORIZONTAL I-BEAM = (\*A'/2) - 3.000
- HANDLE SUPPORT I-BEAM LENGTH = 2.000 (1 PER LATCH)
- DOOR PANEL WIDTH = (\*A'/2) - 1.554
- DOOR PANEL HEIGHT = \*B' - 1.931
- TEE-BAR LENGTH (1) = \*B' - 1.254



**ARROW UNITED INDUSTRIES**  
A Division of Mestek, Inc.  
314 Riverside Drive - P.O. Box 69 - Wyalusing, PA 18853  
AGENT:

CUST.	MODEL: AHF10, 15, 20-D
CONTR.	DOUBLE ACCESS DOOR
ARCH.	WITH MULLION ASSEMBLY
P.O.	PROJECT
DWN. KLM	DATE 5/21/02
CKD.	EDR.
	ARROW JOB NO.
	DWG. NO. 9-605
	SHT OF 9