

CURTAIN FIRE DAMPER PULL RING BLADE RELEASE

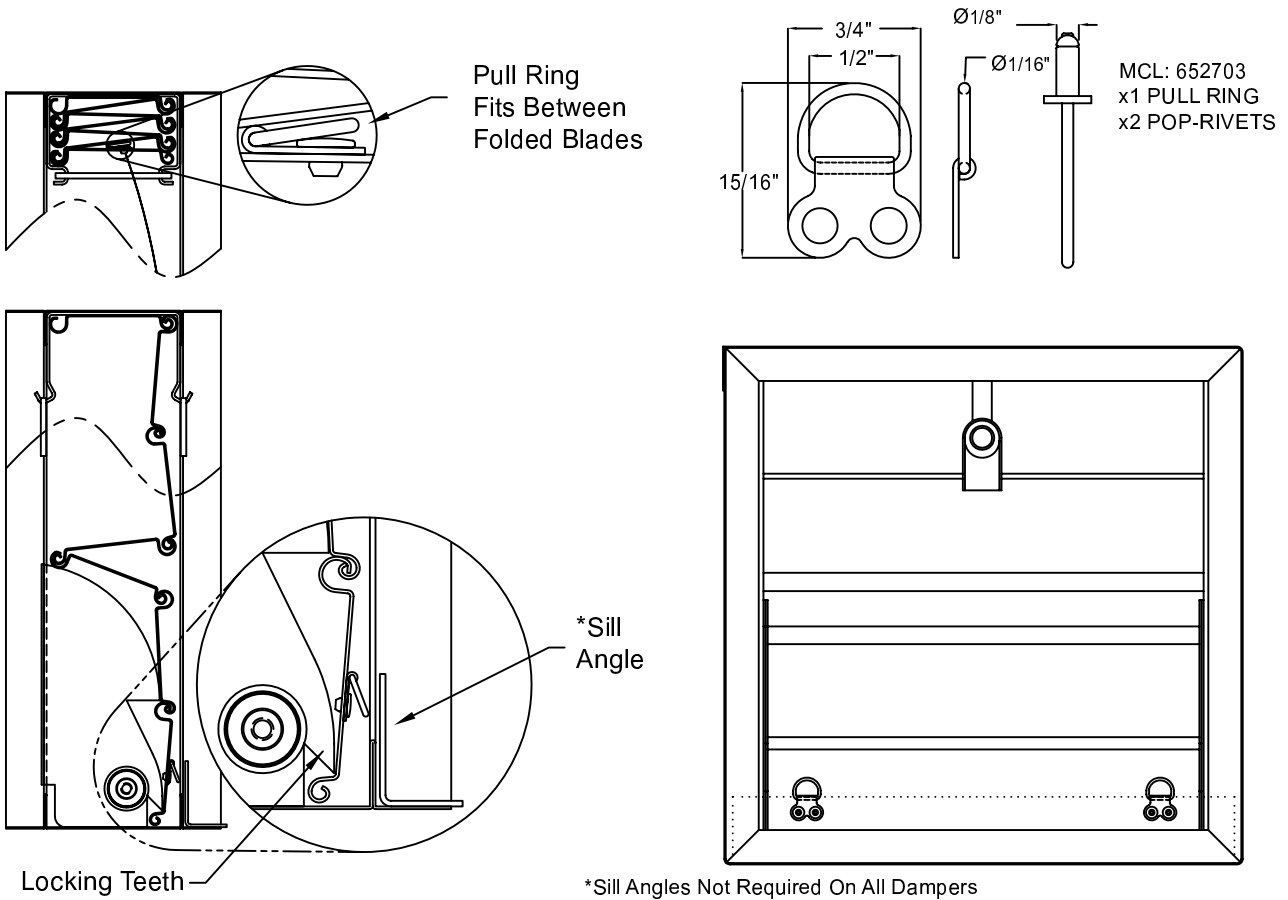
Models: 119,15S, 17S, 117, D19, 15D, 17D, D17, 319, 30S, 38S, 317, D39, 30D, 38D, D37

1) To ensure closure and to comply with its qualification fire testing, horizontally mounted curtain fire dampers must be mounted such that its blade ramps are on the top side of the damper with its locking teeth pointed downwards (see appropriate installation instructions for additional detail). To re-open the blades, the leading blade must be pushed away from the locking teeth on these ramps. For this reason the access to the damper to facilitate opening is recommended to be above the damper. If access to re-open the damper can only be provided from below the damper, the optional Pull Ring Blade Release can be factory or site installed.

2) Spring activated, dynamically rated, vertically mounted fire dampers also require the leading blade to be pushed away from the locking teeth. To facilitate re-opening, the access should be from the ramp face of the damper. When access can only be provided from the non-ramp face of the damper, the optional Pull Ring Blade Release can greatly assist in re-opening.

3) The pull rings are plated steel and are attached to the leading blade with two 1/8" minimum steel rivets (provided). It is recommended that one pull ring be centered on the leading blade for panels greater than 24" wide and two pull rings spaced along the leading blade for panels greater than 24" wide.

4) The pull ring is only intended to assist in pulling the leading blade away from the locking teeth when access from the opposite side is not available. **THE PULL RING IS NOT INTENDED TO BE USED TO RAISE OR "RE-LOAD" THE BLADE STACK.** When dampers are equipped with a sill angle and there is no room to reach the ring, a screwdriver can be inserted into the ring and used to pull the blade away from the locking teeth.



CURTAIN FIRE DAMPER PULL RING BLADE RELEASE

Models: 119,15S, 17S, 117, D19, 15D, 17D, D17, 319, 30S, 38S, 317, D39, 30D, 38D, D37

This page intentionally left blank