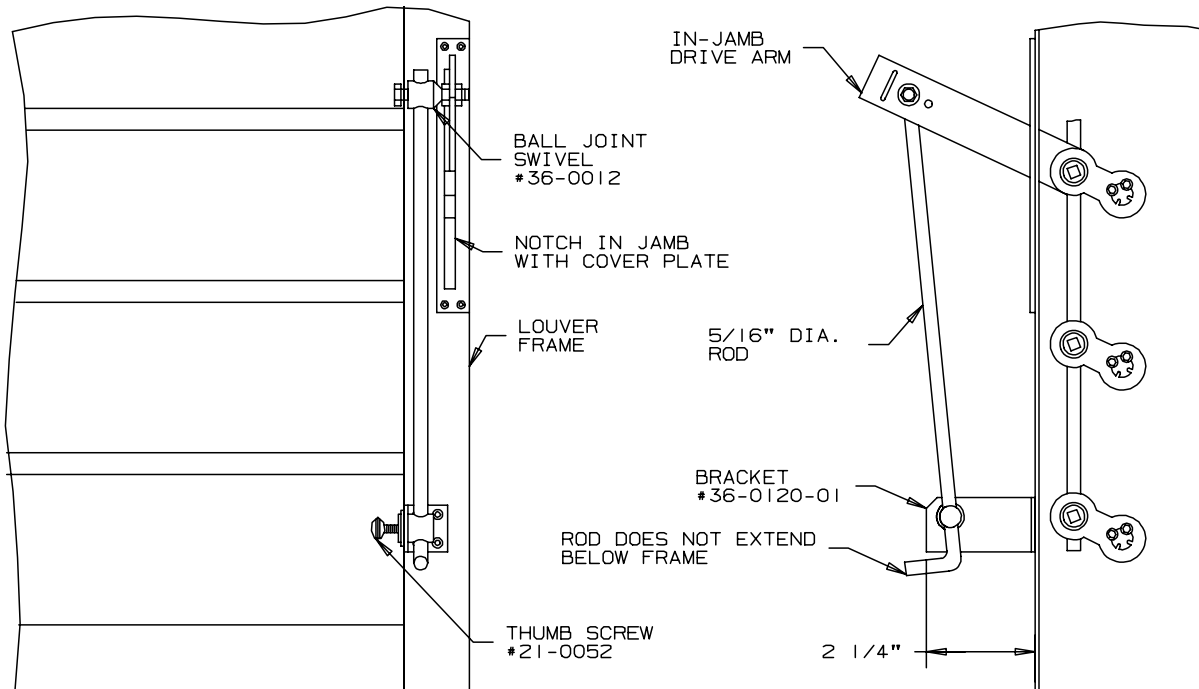


TYPICAL WING SCREW OPERATOR CONNECTED TO BLADE



TYPICAL WING SCREW OPERATOR CONNECTED TO BLADE SHAFT

ARROW UNITED INDUSTRIES
 A DIVISION OF MESTEK, INC.
 450 RIVERSIDE DRIVE
 WYALUSING, PA 18853
 TEL: (570) 746-1888 FAX: (570) 746-9286
 WEB ADDRESS: WWW.ARROWUNITED.COM

AGENT: _____

INSTALLATION,
 0-13 WING SCREW
 OPERATOR