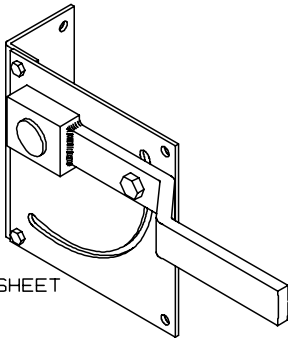


# ARROW

## OPERATORS FOR LOUVERS AND DAMPERS



(SEE SHEET #440)

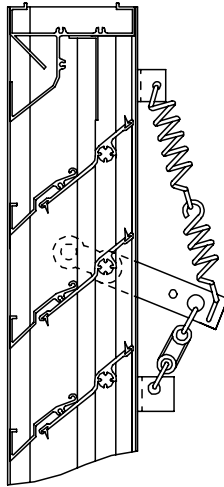
SPECIAL HEAVY-DUTY MANUAL LOCKING QUADRANT

FOR USE WITH:  
1/2" SHAFT UP TO 40 SQ. FT.

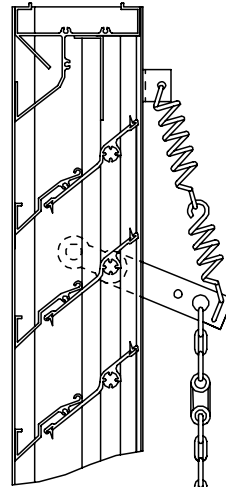
NO. Q-168-A

JACKSHAFTING, UP TO 80 SQ. FT.

NO. Q-168-B

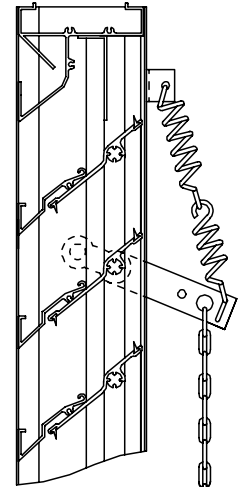


NO. O-21  
SPRING OPERATED  
WITH FUSIBLE LINK  
(160° F)



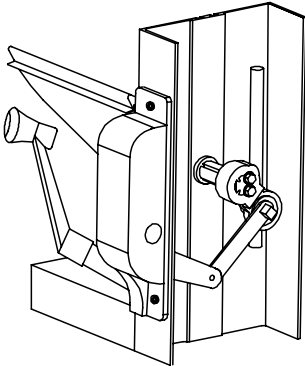
NO. O-18  
CHAIN  
OPERATED  
SPRING  
CLOSURE

8' CHAIN AND  
FUSIBLE LINK  
(160° F)

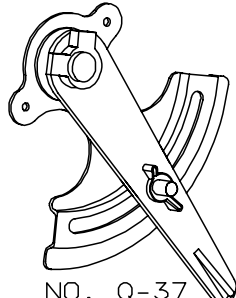


NO. O-17  
CHAIN  
OPERATED  
SPRING  
CLOSURE

WITH 8' CHAIN  
AND WALL KEEPER

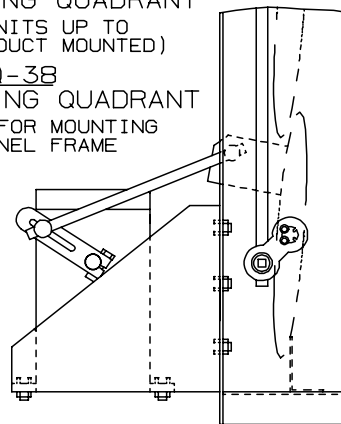


NO. O-25  
HAND OPERATED CRANK  
FOR UNITS UP TO 32 SQ. FT.  
(SEE SHEET #759)

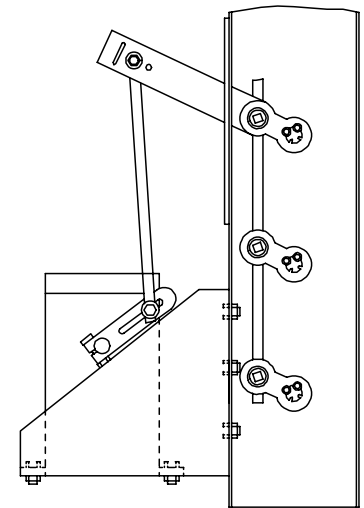


NO. Q-37  
MANUAL LOCKING QUADRANT  
FOR USE ON UNITS UP TO  
24 SQ. FT. (DUCT MOUNTED)

NO. Q-38  
MANUAL LOCKING QUADRANT  
WITH PLATE FOR MOUNTING  
IN CHANNEL FRAME



TYPICAL DAMPER DRIVE

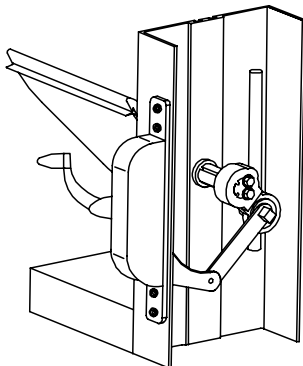


TYPICAL LOUVER DRIVE

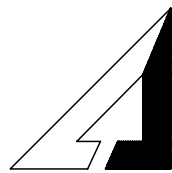
(SEE SHEET #538)

MOTORS MAY BE MOUNTED FOR EXTERNAL OR  
INTERNAL DRIVE (ABOVE ARE INTERNAL)

SPECIFY OPERATOR AND WHETHER N.O. OR N.C.



NO. O-24  
HAND OPERATED CRANK  
FOR UNITS UP TO 10 SQ. FT.  
(SEE SHEET #759)



ARROW UNITED INDUSTRIES  
A DIVISION OF MESTEK, INC.

450 RIVERSIDE DRIVE  
WYALUSING, PA 18853

TEL: (570) 746-1888 FAX: (570) 746-9286  
WEB ADDRESS: WWW.ARROWUNITED.COM

AGENT: \_\_\_\_\_