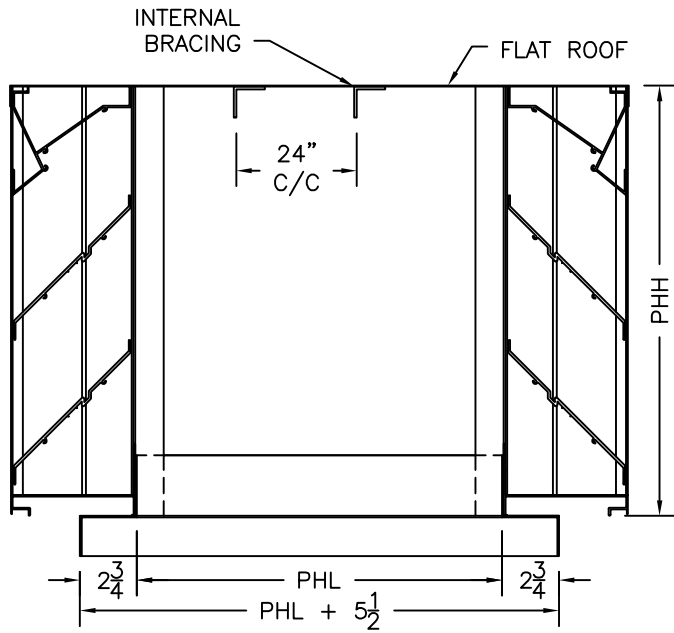


NON-DRAINABLE, 6" DEEP, BOXED PENTHOUSES



VERTICAL SECTION

NON-DRAINABLE PENTHOUSE SPECIFICATIONS

FRAME: 6" DEEP CHANNEL, .081" THICK 6063-T5 EXTRUDED ALUMINUM ALLOY. BOXED CONSTRUCTION.

BLADES: .081" THICK 6063-T5 EXTRUDED ALUMINUM ALLOY.

ROOF: 16 Ga. (.050") 3003-H14 ALUMINUM.

FINISH: MILL.

SCREEN: 1/2" EXPANDED ALUMINUM BIRD SCREEN, LOCATED ON INTERIOR.

NOTES:

PENTHOUSES SHALL BE FABRICATED BASED ON THE INSIDE CURB OPENING DIMENSIONS.

THE PENTHOUSE WIDTH (PHW) SHALL BE THE SMALLER INSIDE CURB OPENING DIMENSION.

THE PENTHOUSE LENGTH (PHL) SHALL BE THE LARGER INSIDE CURB OPENING DIMENSION.

THE PENTHOUSE HEIGHT IS DETERMINED BASED ON THE PENTHOUSE PERFORMANCE REQUIRED.

THE MINIMUM STANDARD PENTHOUSE SIZE SHALL BE 12"(W) x 12"(L) x 12"(H).

THE MAXIMUM STANDARD PENTHOUSE FACTORY ASSEMBLED SIZE IS 72"(W) x 72"(L) x 72"(H).

PENTHOUSES GREATER THAN MAXIMUM DIMENSIONS SHOWN ABOVE SHALL BE CUSTOM DESIGNED IN MULTIPLE SHIP SECTIONS AND QUOTED BY THE FACTORY.

ITEM NUMBER	QUANTITY	TAG #	PENTHOUSE WIDTH (PHW)	PENTHOUSE LENGTH (PHL)	PENTHOUSE HEIGHT (PHH)	OPTIONS				COMMENTS
						FLAT ROOF	PITCHED ROOF	SCREEN	INSECT SPECIAL SCREEN	

PROJECT:

LOCATION:

ARCHITECT/ENGINEER:

CONTRACTOR:

NOTE:

REFER TO PENTHOUSE SIZING & PERFORMANCE DATA PAGE 1 FOR PENTHOUSE SIZING FORMULAS. FOR APPROXIMATE PRESSURE DROPS FROM CORRESPONDING LOUVER MODELS, AS WELL AS PENTHOUSE FREE AREA TABLES REFER TO PENTHOUSE SIZING & PERFORMANCE DATA PAGE 4 FIGURE 6.

awv american warming and ventilating

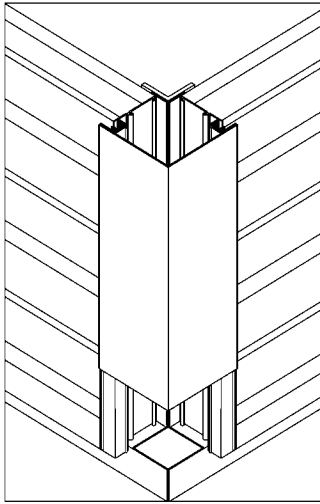
A MESTEK COMPANY

7301 INTERNATIONAL DRIVE HOLLAND, OHIO
Phone (419) 865-5000 Fax (419) 865-1375

6" NON-DRAINABLE PENTHOUSE

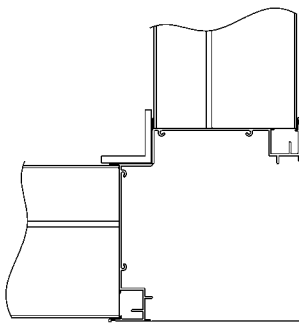
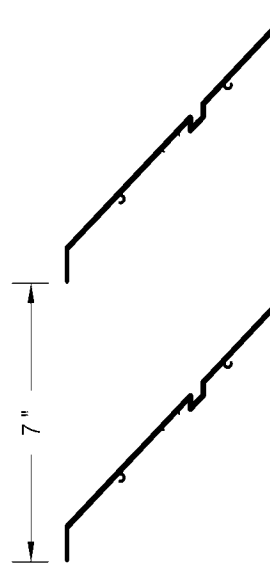
DRN. BY JVC	DWG. NO. PE-63B	REV.
DATE 11/8/12		

6" DEEP NON-DRAINABLE
BOX CONSTRUCTION MODELS



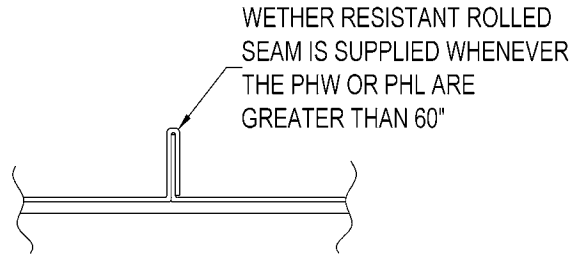
STANDARD AWW LOUVERS
MAKE UP THE WALLS OF A
PENTHOUSE.

PE-63



PLAN VIEW
BOXED CORNER

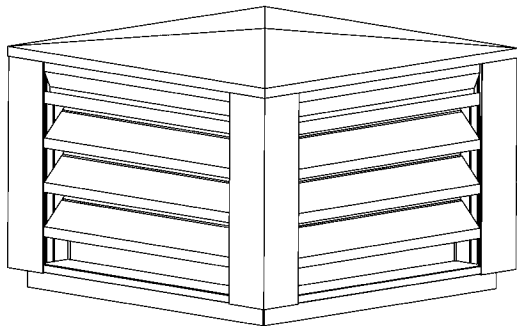
FLAT ROOF



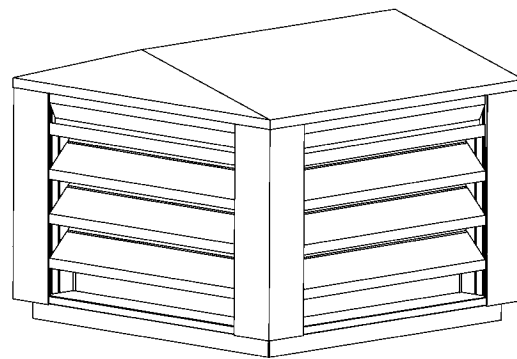
WETHER RESISTANT ROLLED
SEAM IS SUPPLIED WHENEVER
THE PHW OR PHL ARE
GREATER THAN 60"

ROOF SEAM
DETAIL

PITCHED ROOF
(SLOPE = 2/12)



THE FLAT ROOF STYLE COMES STANDARD FOR
ALL AWW PENTHOUSES WITH A 72" OR SMALLER
CURB OPENING. THE ROOF IS DESIGNED TO
ALLOW FOR THE RUN-OFF OF WATER.



THE TRUSSED ROOF CONSTRUCTION
IS STANDARD WHEN BOTH CURB
OPENINGS EXCEED 72". THIS OPTION IS
AVAILABLE ON ANY SIZE PENTHOUSE.
(CONSULT FACTORY)

