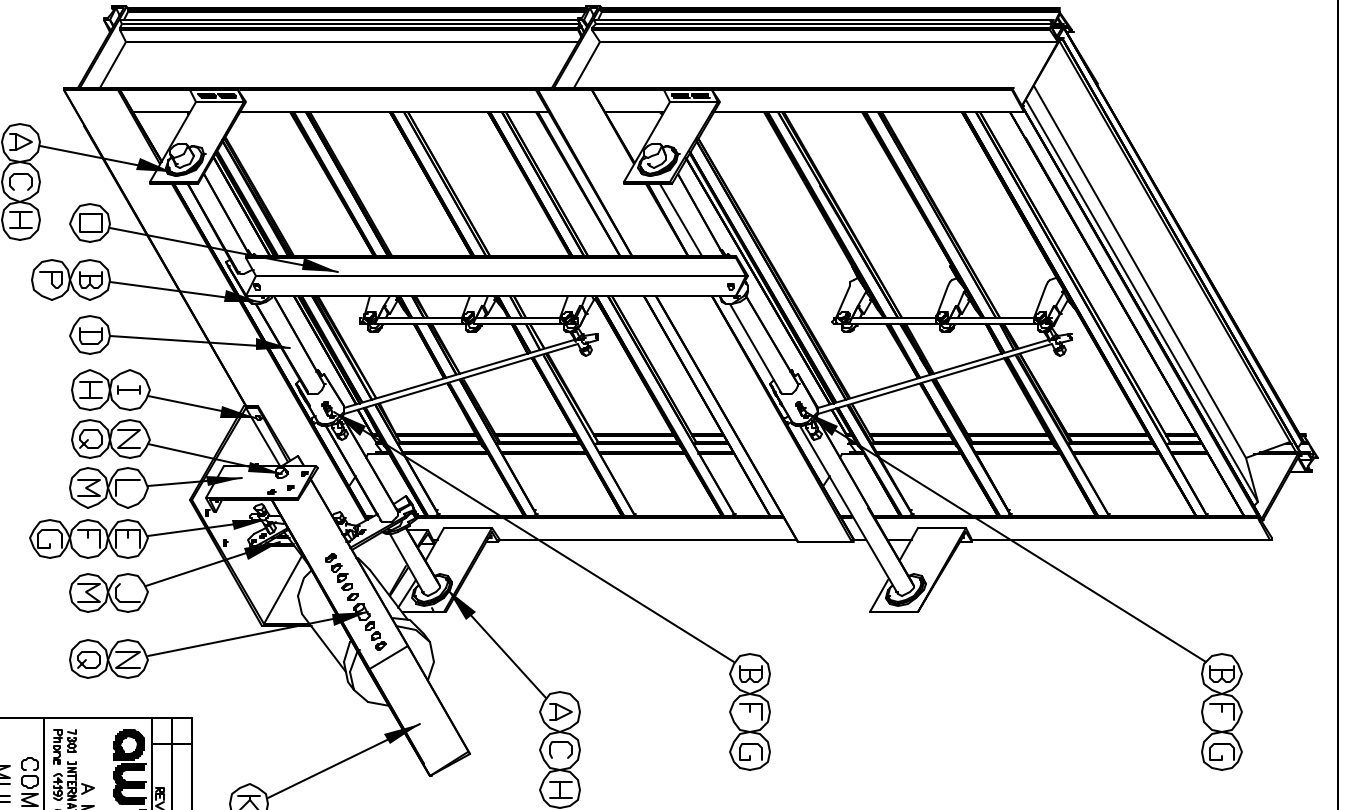


ALL LOWER PANELS SHOWN ARE SINGLE LINKAGE.
 IF ADDITIONAL LINKAGE PER LOWER PANEL IS REQUIRED,
 ADDITIONAL QUANTITIES OF AFFECTED ITEMS WILL
 BE PROVIDED FOR EACH SET OF LINKAGE.

ITEM	PART DESCRIPTION	DRAWING NUMBER	QUANTITY PER		TOTAL QUANTITY
			DOUBLE PANEL	TRIPLE PANEL	
A	JACKSHAFT STAND W/ BEARING	26783-STD	4	6	
B	REMOVABLE LINKAGE ARM TYPE 'S'	1814E-STD	5	8	
C	UNI-CLAMP NO. UNS016-131	25724-STD	4	6	
D	1" DIA. JACKSHAFT TUBE	2572E-STD	2	3	
E	REMOVABLE LINKAGE ARM TYPE 'BG'	1814Q-STD	1	1	
F	5/16" DIA. SWIVEL	A21749	6	8	
G	5/16" DIA. PLATED STEEL CONNECTING ROD	-	3	4	
H	PLATED STEEL MOUNTING SCREWS (#14 x 3/4" LG.)	-	12	14	
I	PNEUMATIC ACTUATOR MOUNT	22239-STD	1	1	
J	REMOVABLE LINKAGE ARM TYPE 'F'	1814Q-STD	1	1	
K	PNEUMATIC STRAP	D21745	1	1	
L	ACTUATOR MOUNT JACKSHAFT STAND	22239-STD	1	1	
M	1/4"-20 x 3/4" LG. HEX HEAD	-	5	5	
N	1/2" DIA. PLATED STEEL SHAFT	-	2	2	
D	LINKAGE INTERCONNECT	32929-STD	1	2	
P	E-CLIP	-	2	4	
Q	1/2" DIA. UNI-CLAMP	-	4	4	



PNEUMATIC ACTUATOR

REVISION	DATE	BY	CHKD

awy
 american warming
 and ventilating
 A MESTEK COMPANY
 HELLAND, OHIO
 7301 INTERNATIONAL DRIVE
 Phone (419) 855-5000 Fax (419) 855-1875

COMBINATION BLADE
 MULTI-HIGH PANEL
 W/ ON BLADE LINKAGE

DESIGN	JMC	DATE	04/19/01
APP'D BY		REV. NO.	32843-2-STD
DATE		REV.	