

**STANDARD MATERIALS AND CONSTRUCTION**

**FRAME:** .125" to .250" thick (nominal) extruded aluminum 6063-T52/T6 alloy.  
Grille depth can be 1" to 6" deep.

**BLADE:** .125" to .250" thick (nominal) extruded aluminum 6063-T52/T6 alloy.  
Blades have 2" to 12" vertical and horizontal spacing.

**CONSTRUCTION:** All welded construction.

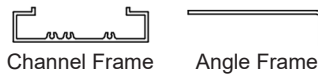
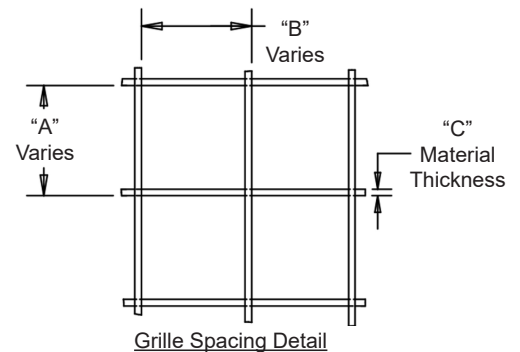
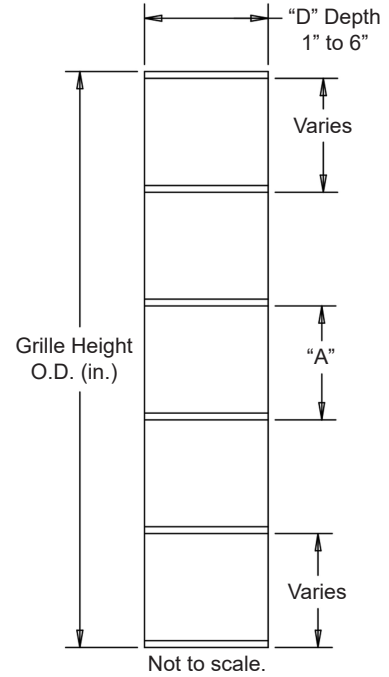
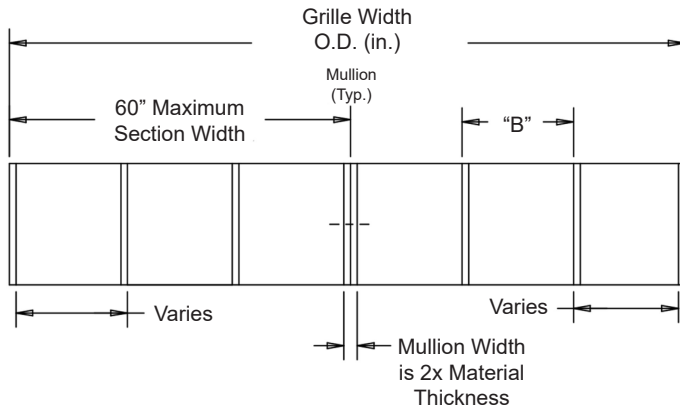
**FINISH:** Factory mill.

**OPTIONS**

Finishes - Kynar, Baked Enamel, Clear and Color Anodize

**GRILLE SCREEN SIZES**

Min Panel	Max Single Panel
12"W x 12"H	60"W x 96"H (40 sq.ft.)




Optional Frames

"A" = 2" to 12" (Horizontal Blade Spacing)

"B" = 2" to 12" (Vertical Blade Spacing)

"C" = .125" to .250" (Material Thickness)

"D" = 1" to 6" (Grille Depth)

								
<b>Item #</b>	<b>Qty</b>	Horizontal	Vertical	<b>Grille Depth</b>				
		<b>Blade Spacing</b>			<b>Material Thickness</b>			<b>Union Made</b>
<b>Arch. / Eng. :</b>				<b>EDR:</b>	<b>ECN:</b>	<b>Job:</b>		
<b>Contractor:</b>								
<b>Project:</b>				<b>Date:</b>	<b>DWN:</b>	<b>DWG:</b>		