

AIR BALANCE, INC. TYPE ASVP-45-C

LOUVERED PENTHOUSES EXTRUDED ALUMINUM

STACK VENTILATION PENTHOUSE

SPECIFICATIONS

LOUVER: EXTRUDED ALUMINUM 6063-T6/T52 ALLOY, FRAME AND BLADE ARE .080" THK. W/ POST CORNER CONSTRUCTION

SCREEN: (WHEN INDICATED)
 BIRD SCREEN - 1/2" FLATTENED ALUMINUM, .051" THK.
 OR - 1/2" SQ. MESH INTERMEDIATE DOUBLE-CRIMPED ALUMINUM WIRE, .063" DIA.
 OR - 18/16 MESH, .011" DIA. ALUM. WIRE INSECT SCREEN.

FINISH: VARIES

SIZE: 38"x38"x18", SITS ON A CURB 24" OR 36" HIGH

CURB: 12 GA. GALVANNEAL, GALVANIZED STEEL OR 1/8" THK. ALUMINUM W/ 4" MOUNTING FLANGE, WELDED CONSTRUCTION

ROOF: .060" THK. FORMED ALUMINUM WITH 1/2" THK. RIGID INSULATION

POST CORNER: .080" THK. FORMED ALUMINUM

GLASS: 1/8" THK. ANNEALED GLASS

ROOF OPENING: 28"x28" MINIMUM, 38"x38" MAXIMUM

LOUVER DETAILS
 MODEL: A465

SIZE: 30" x 18" (4) FOUR REQ'D

FREE AREA: 6.54 SQ. FT. TOTAL

CONTROL DAMPER DETAILS
 MODEL: ABI MODEL AC525/AC526

SIZE: 26"x26" O.D. NOMINAL

ACTUATOR: INTERNALLY MOUNTED ELECTRIC

CORE AREA: 3.75 SQ. FT.

MODEL: ABI MODEL AC1/AC2

SIZE: 26"x26" O.D. NOMINAL

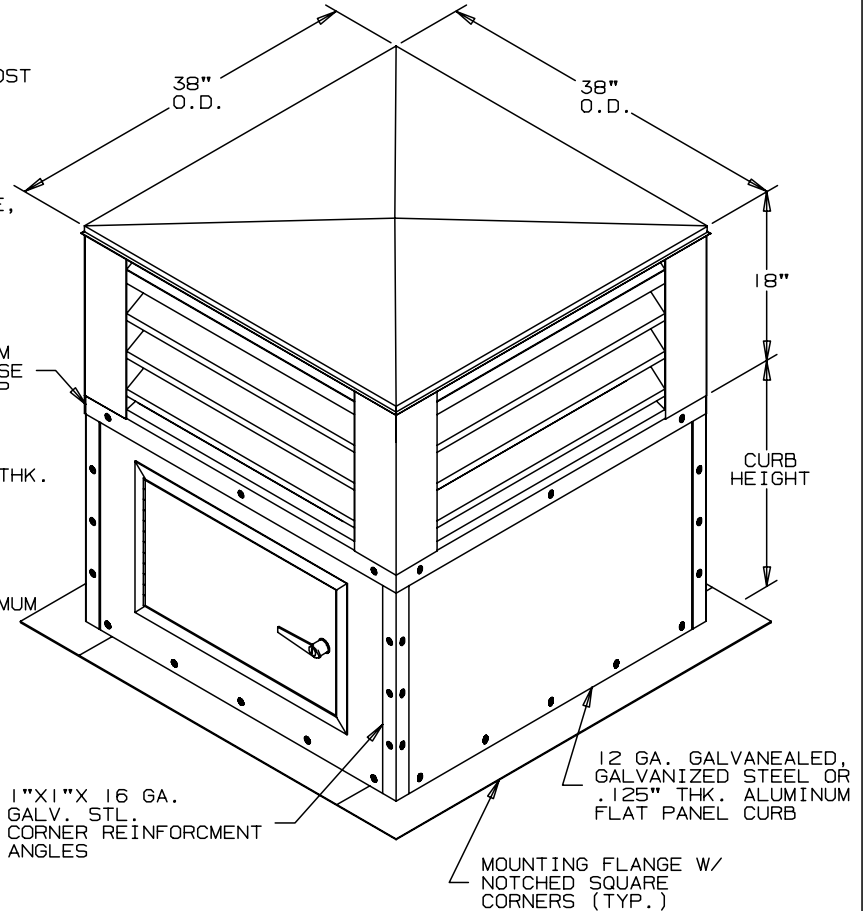
ACTUATOR: INTERNALLY MOUNTED ELECTRIC

CORE AREA: 4.08 SQ. FT.

OPTIONAL:

-HINGED LOUVER WITH HASP OR SURFACE MOUNT LATCH IN PLACE OF ACCESS DOOR IN CURB

-DRAINABLE BLADE LOUVER (MODEL A435)



1"X1"X 16 GA. GALV. STL. CORNER REINFORCEMENT ANGLES

12 GA. GALVANEAL, GALVANIZED STEEL OR .125" THK. ALUMINUM FLAT PANEL CURB

MOUNTING FLANGE W/ NOTCHED SQUARE CORNERS (TYP.)

ALUMINUM PENTHOUSE CURB CAP

CURB HEIGHT

ITEM	QTY.	WIDTH	HEIGHT	CURB HEIGHT	GLASS ACCESS	HINGED ACCESS	TAGGING
		ROOF OPENING					



AIR BALANCE, INC.
 A Mestek Company

450 Riverside Drive
 Wyalusing, PA 18853

AGENT: _____

ARCH./ENG.:	
CONTR.:	
PROJECT:	
EDR:	ECN: JOB:
DATE:	DWN.: DWG.: