

AIR BALANCE, INC. TYPE LOUVERED PENTHOUSES EXTRUDED ALUMINUM

ASEP-45-S

SMOKE EVACUATION PENTHOUSE

SPECIFICATIONS

LOUVER: EXTRUDED ALUMINUM 6063-T6/T52 ALLOY,
FRAME AND BLADE ARE .080" THK. W/ POST
CORNER CONSTRUCTION

SCREEN: (WHEN INDICATED)
BIRD SCREEN - 1/2" FLATTENED ALUMINUM, .051" THK.
OR - 1/2" SQ. MESH INTERMEDIATE DOUBLE-
CRIMPED ALUMINUM WIRE, .063" DIA.
OR - 18/16 MESH, .011" DIA. ALUMINUM
WIRE INSECT SCREEN.

FINISH: VARIES

SIZE: 38"x38"x18", SITS ON A CURB 12" - 36" HIGH

CURB: 12 GA. GALVANNEAL, GALVANIZED STEEL OR
1/8" THK. ALUMINUM W/ 4" MOUNTING FLANGE,
WELDED CONSTRUCTION

ROOF: .060" THK. FORMED ALUMINUM WITH 1/2" THK.
RIGID INSULATION

POST CORNER: .080" THK. FORMED ALUMINUM

GLASS: 1/8" THK. ANNEALED GLASS

ROOF OPENING: 28"x28" MINIMUM, 38"x38" MAXIMUM

LOUVER DETAILS
MODEL: A465

SIZE: 30" x 18" (3) THREE REQ'D

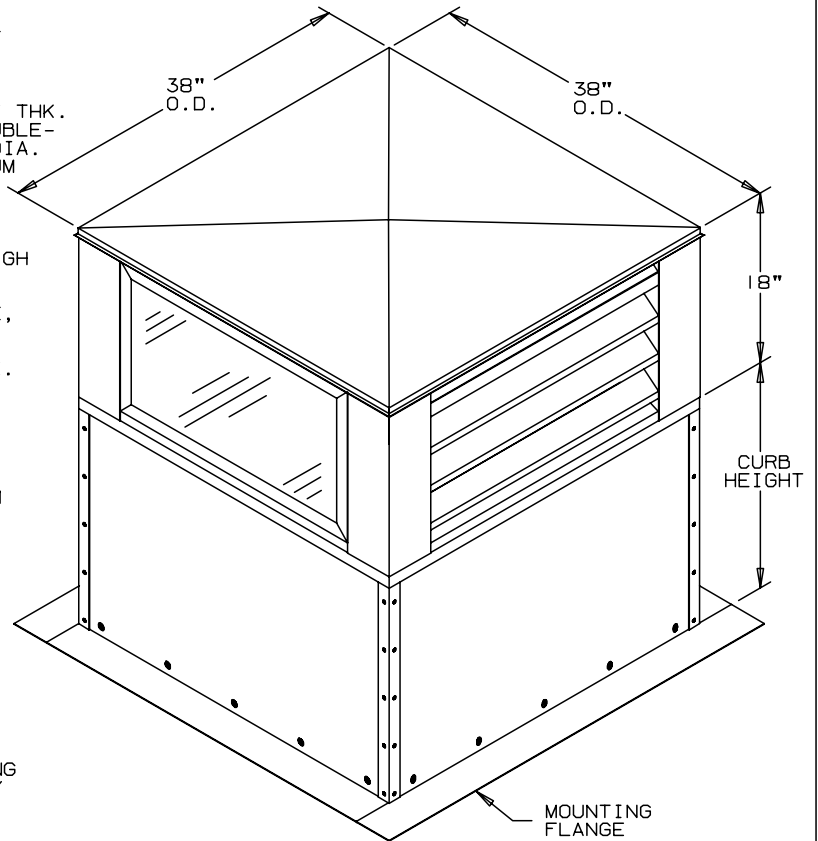
FREE AREA: 4.905 SQ. FT. TOTAL

DAMPER DETAILS
MODEL: AIR BALANCE MODEL SIH CLASS I
- 250° SMOKE DAMPER

SIZE: 26"x26" O.D. NOMINAL

ACTUATOR: INTERNALLY MOUNTED POWER CLOSE SPRING
OPEN (FAIL OPEN) 120 VAC ACTUATOR W/
OPEN / CLOSED INDICATOR

CORE AREA: 4.38 SQ. FT.



- NOTES:
1. ACTUATOR ACCESS DOOR IN DUCTWORK SUPPLIED AND INSTALLED BY OTHERS.
 2. HINGED LOUVER WITH HASP OR SURFACE MOUNT LATCH IN PLACE OF ANNEALED GLASS IS AVAILABLE AS AN OPTIONAL FEATURE.

ITEM	QTY.	WIDTH	HEIGHT	CURB HEIGHT	GLASS ACCESS	HINGED ACCESS	TAGGING
		ROOF OPENING					



UNION MADE

abi
air balance inc.

AIR BALANCE, INC.
A Mestek Company

450 Riverside Drive
Wyalusing, PA 18853

AGENT: _____

ARCH./ENG. :

CONTR. :

PROJECT :

EDR: ECN: JOB:

DATE: DWN. : DWG. :

AIR BALANCE, INC. TYPE ASEP-45-S

LOUVERED PENTHOUSES
EXTRUDED ALUMINUM

PENTHOUSE OPTIONAL CONSTRUCTION

