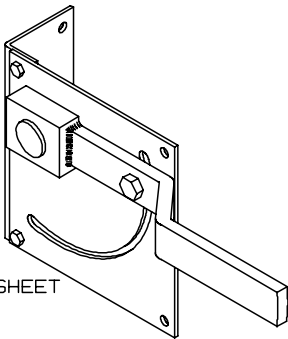


AIR BALANCE, INC.

OPERATORS FOR LOUVERS AND DAMPERS



(SEE SHEET #440)

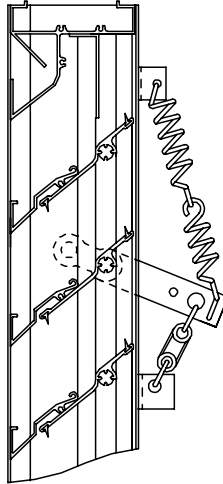
SPECIAL HEAVY-DUTY MANUAL LOCKING QUADRANT

FOR USE WITH:
1/2" SHAFT UP TO 40 SQ. FT.

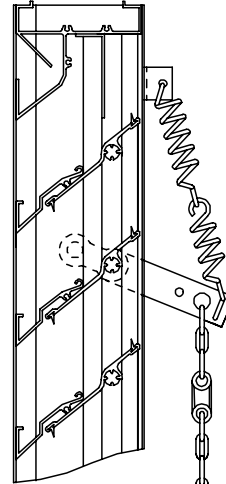
NO. Q-168-A

JACKSHAFTING, UP TO 80 SQ. FT.

NO. Q-168-B

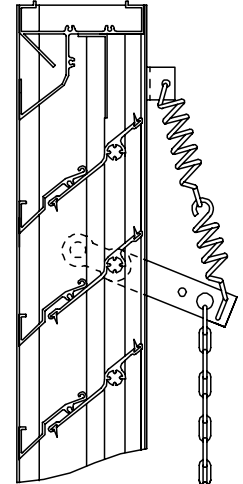


NO. O-21
SPRING OPERATED
WITH FUSIBLE LINK
(160° F)



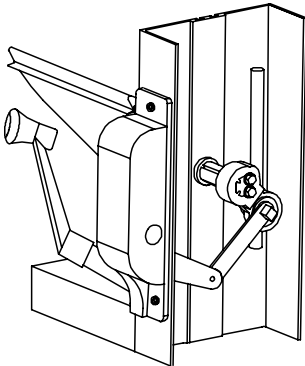
NO. O-18
CHAIN
OPERATED
SPRING
CLOSURE

8' CHAIN AND
FUSIBLE LINK
(160° F)

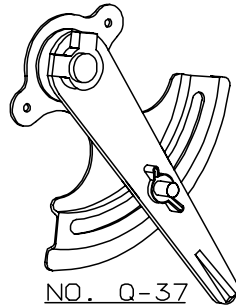


NO. O-17
CHAIN
OPERATED
SPRING
CLOSURE

WITH 8' CHAIN
AND WALL KEEPER

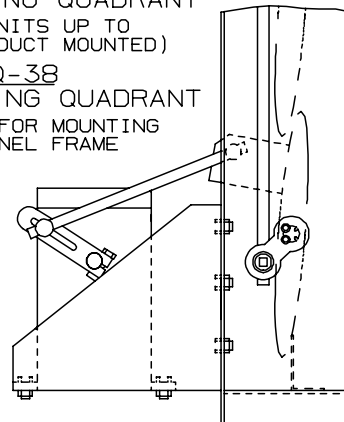


NO. O-25
HAND OPERATED CRANK
FOR UNITS UP TO 32 SQ. FT.
(SEE SHEET #1282)

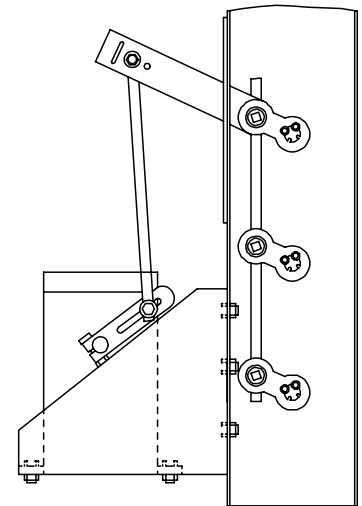


NO. Q-37
MANUAL LOCKING QUADRANT
FOR USE ON UNITS UP TO
24 SQ. FT. (DUCT MOUNTED)

NO. Q-38
MANUAL LOCKING QUADRANT
WITH PLATE FOR MOUNTING
IN CHANNEL FRAME



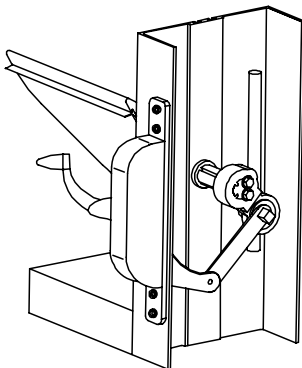
TYPICAL DAMPER DRIVE



TYPICAL LOUVER DRIVE

MOTORS MAY BE MOUNTED FOR EXTERNAL OR
INTERNAL DRIVE (ABOVE ARE INTERNAL)

SPECIFY OPERATOR AND WHETHER N.O. OR N.C.



NO. O-24
HAND OPERATED CRANK
FOR UNITS UP TO 10 SQ. FT.
(SEE SHEET #1282)

abi
air balance inc.

AIR BALANCE, INC.
A Mestek Company

450 Riverside Drive
Wyalusing, PA 18853

AGENT: _____