

Sleeves & Sideplates

Smoke & Fire/Smoke Dampers

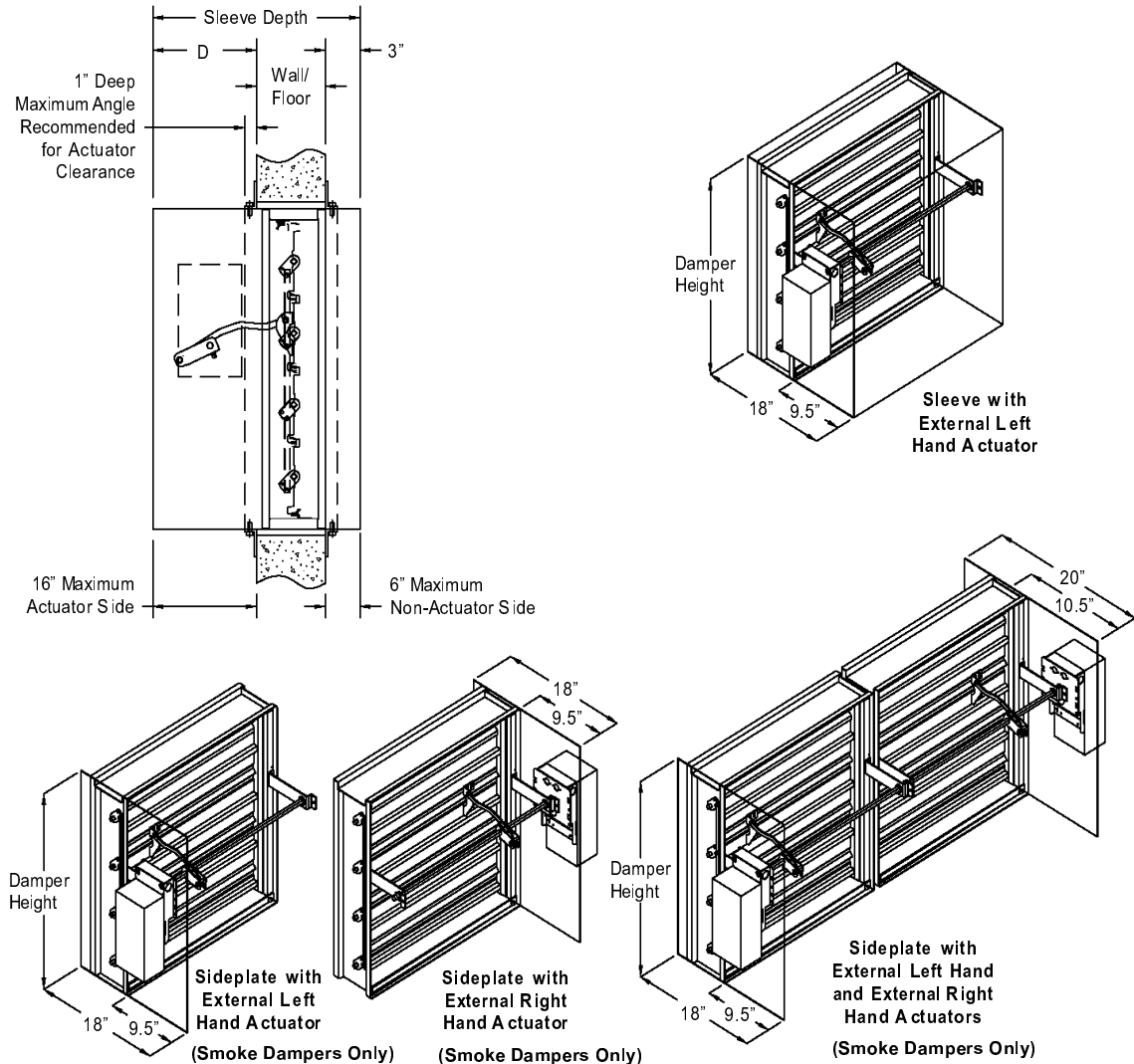
Notes

1. Sleeves are required for the proper installation of fire rated dampers, but need not be factory provided. Reference damper installation instruction for sleeve attachment procedure.
2. Large units that require multiple ship sections will be individually sleeved if sleeve is factory provided.
3. Units with externally mounted actuators require a factory supplied sleeve or sideplate.
4. The standard sleeve is 20-GA x 18" deep (dampers that exceed 84" in width or height require minimum 18-GA sleeve).
5. 10-GA, 12-GA, 14-GA, 16-GA, and 18-GA sleeves are available; dampers are not undersized based on sleeve thickness selected. When heavier gauge sleeves are required, consideration must be made as to whether to order the dampers undersized (more than the standard 1/4") or whether the opening must be made larger to maintain the minimum required annular space of the lesser of 1/4" or 1/8" per linear foot. See II-FS for further details on annular space requirements.
6. Sleeve depths through 48" are available (sleeve distance extending outside of fire barrier must adhere to UL maximums).
7. Refer to Installation Instructions II-FS and II-S for sleeve attachment in the field.
8. With few exceptions, sideplates are only supplied with smoke dampers.

Sleeve Depth Determination For Fire/Smoke Damper

The standard sleeve depth allows for an external actuator, 1" retaining angles on both sides of the wall, and 1.5" duct connections on both ends of the sleeve. Sleeve depth and "D" will increase by 1" if a factory-mounted smoke detector is required. A shorter sleeve may be provided and properly installed if internal actuators or one-side retaining angles are utilized, or if the duct connections on one or both ends of the damper are not required. Consult the factory for details.

Standard Sleeve Depth (18") = D (9") + wall/floor thickness (6") + non-actuator side distance (3")



MESTEK, INC.
Commercial Damper & Louver Group

Sleeves & Sideplates

Smoke & Fire/Smoke Dampers

This page intentionally left blank

