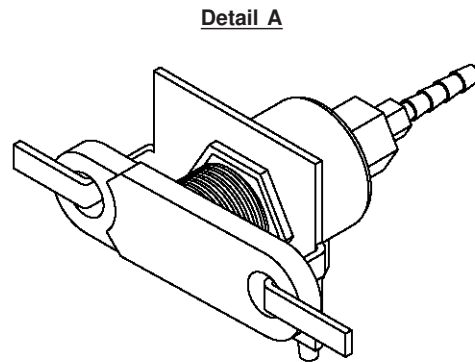
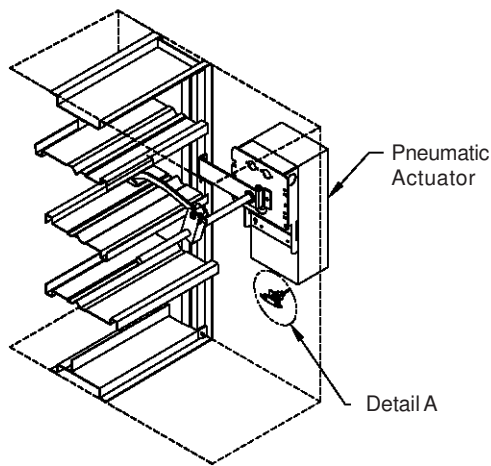
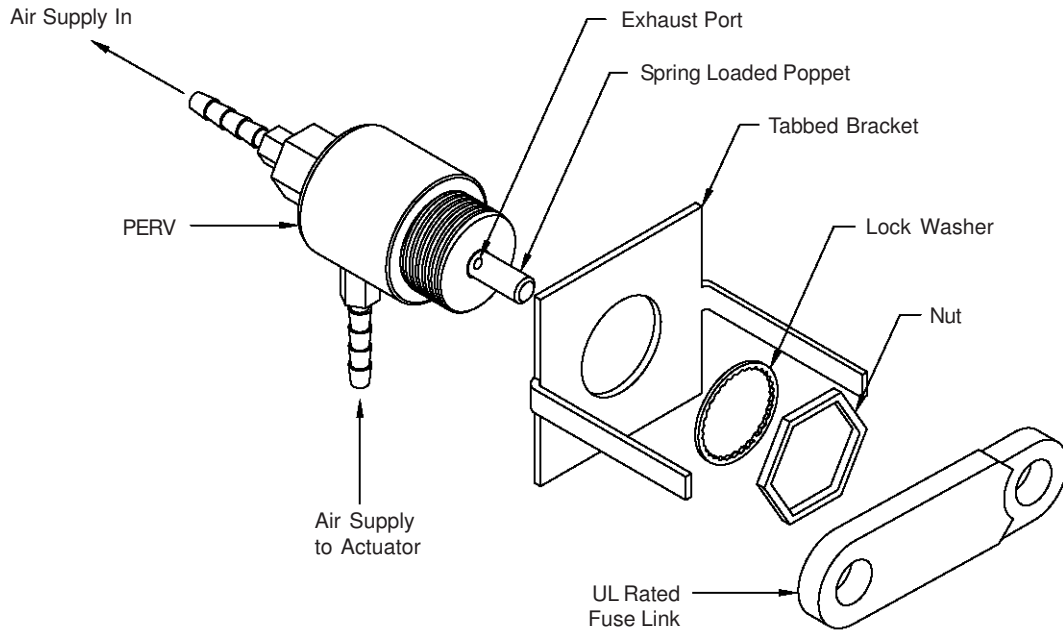


Pneumatic Heat Response Device (PHRD)

Combination Fire/Smoke Damper

Application

The Pneumatic Heat Response Device (PHRD) is a heat sensing device that is plumbed between a pneumatic actuator and its supply air line and protrudes inside of a duct. This device consists of a Pneumatic Emergency Relief Valve (PERV), a fusible link, and a tabbed bracket. Upon exposure to elevated temperature, the fusible link separates and releases the PERV's spring loaded poppet valve, thus causing the actuator's supply to exhaust to atmosphere. As the actuator's supply air is depleted, its spring return drives the damper to the closed and locked position.



Notes

1. Fusible links are available in 165°F and 212°F temperature ratings.
2. To re-open the damper, it is necessary to replace the fusible link and restore air to the actuator.

Pneumatic Heat Response Device (PHRD)

Combination Fire/Smoke Damper

This page intentionally left blank.