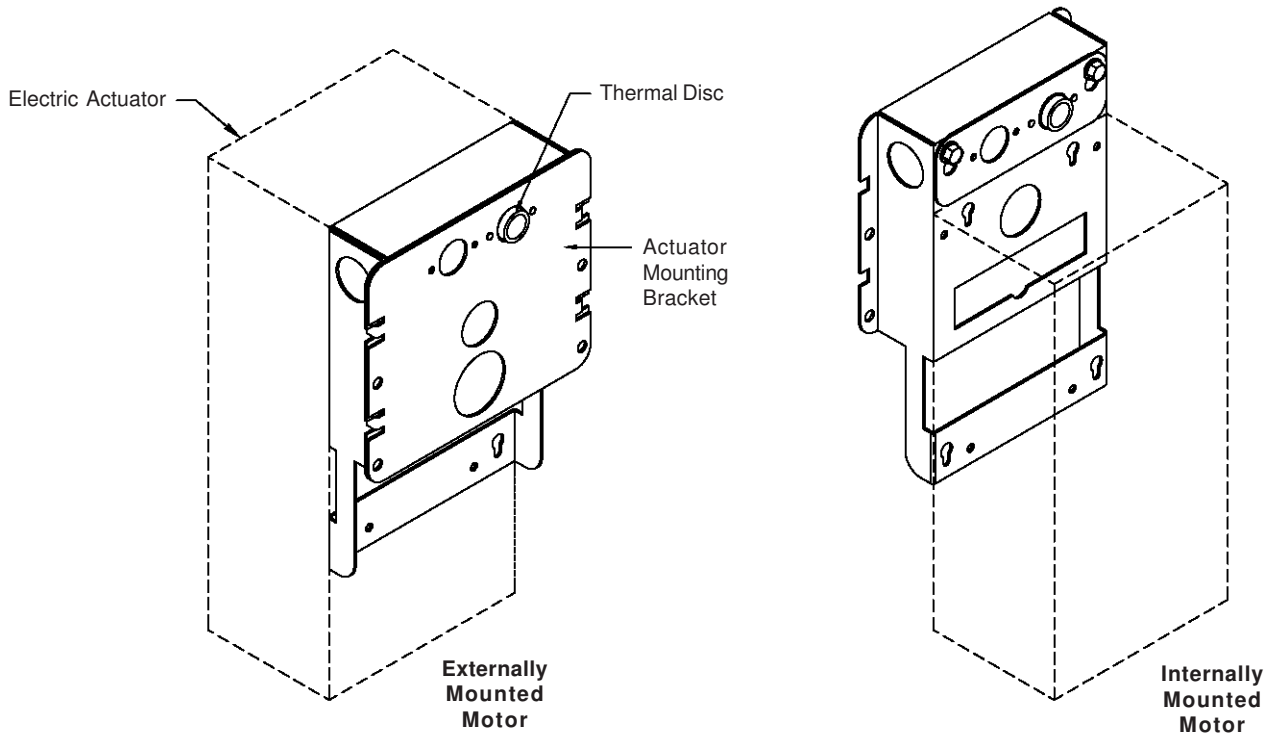


Electric Heat Response Device (EHRD)

Combination Fire/Smoke Damper

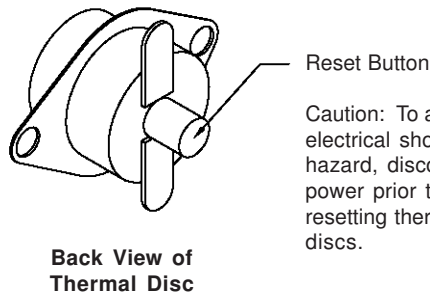
Application

The Electric Heat Response Device (EHRD) is a heat sensing, bi-metallic disc-type switch that is wired in series with the actuator's electrical supply. Upon exposure to elevated temperature, the thermal disc mechanically opens the electric circuit and interrupts the power supply to the actuator, thus causing the actuator's internal spring to drive the damper to the closed and locked position.

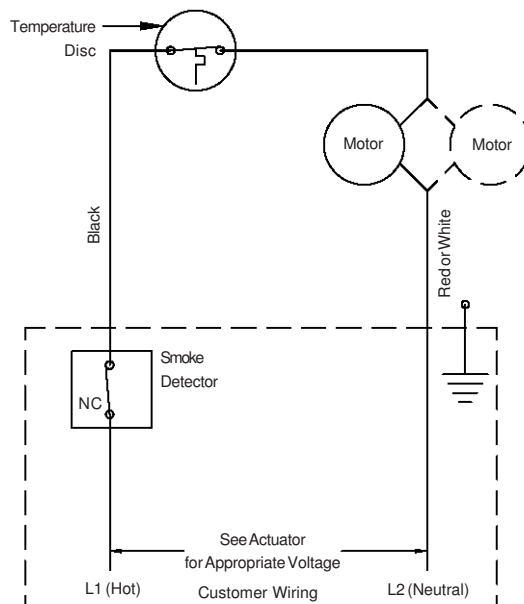


Notes

1. All wiring to be done in accordance with N.E.C. (NFPA 70).
2. Switches are rated at 1/3 HP, 125 VAC.
3. Thermal discs are available in 165°F, 212°F, 250°F, and 350°F temperature ratings (thermal disc rating cannot exceed the temperature rating of the damper).
4. Upon cooling, the thermal disc switch remains open and the damper remains in the closed and locked position. Assuming that incident temperatures were not excessive, the damper can be re-opened by manually depressing the reset button on the back of the thermal disc. Prior to resetting the thermal disc, the damper and its power supply should be inspected for heat related damage.



Reset Button
 Caution: To avoid electrical shock hazard, disconnect power prior to resetting thermal discs.



Electric Heat Response Device (EHRD)

Combination Fire/Smoke Damper

This page intentionally left blank.