

MODEL 119F

1 5/8" Deep • 1 1/2 Hour • Vertical Mount • Static Rated • Thin Line Fire Damper

STANDARD MATERIALS AND CONSTRUCTION

FRAME: 22-GA one-piece rollformed galvanized steel
BLADE: 22-GA galvanized steel curtain-type
FUSIBLE LINK: UL-Listed 165°F; Replaceable
FINISH: Mill

OPTIONS

212°F Replaceable Fuse Link
 Factory Supplied Sleeve (20-GA through 10-GA)
 PK1202 Position Indicator Switch
 Tab-Lock Retaining Angles
 Pull Ring

NOTES


1. "A" width and "B" height are opening dimensions. Dampers are provided 1/4" undercut.

DAMPER SIZES

Panels	Min Panel	Max Single Panel
119F	4"W x 4"H	40"W x 40"H

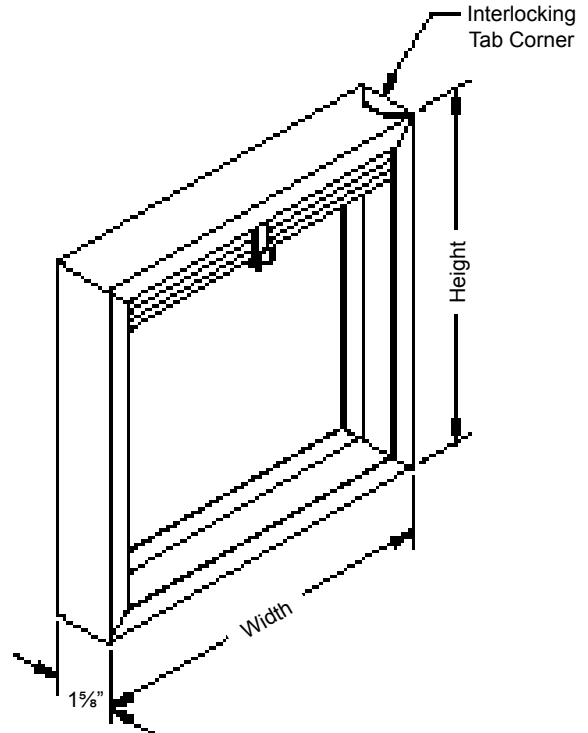
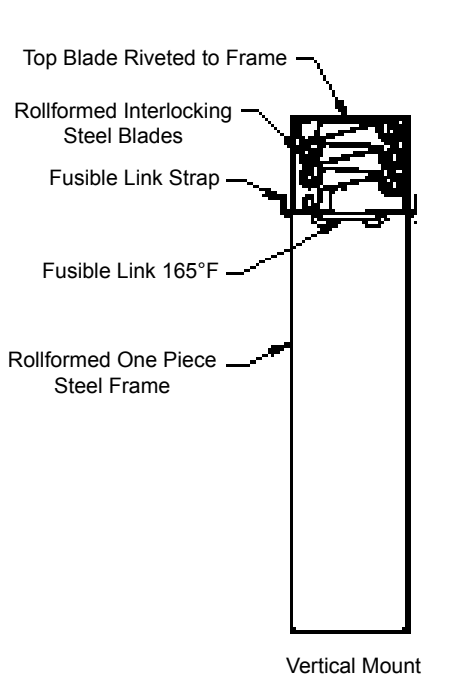
UNDERWRITERS LABORATORIES, INC.®
 CLASSIFIED STATIC FIRE DAMPERS
 FIRE RESISTANCE RATING 1 1/2 HR.

abi air balance inc. FILE #R4708



This fire damper meets the construction and performance requirements of:

- Underwriters Laboratories Inc. Standard 555
- National Fire Protection Association Standard 80 and 90A
- ICC's International Building Code
- California State Fire Marshal Listing #3225-1328:100
- Underwriters Laboratories Inc. Approved for dual direction airflow and static closure conditions.
- Underwriters Laboratories Inc. Classified for use in fire resistive ratings of less than 3 hours.



MODEL 119F

1 5/8" Deep • 1 1/2 Hour • Vertical Mount • Static Rated • Thin Line Fire Damper

Free Area 119F

		Width									
		4	8	12	16	20	24	28	32	36	40
Height	4	0.03	0.08	0.1	0.2	0.2	0.3	0.3	0.4	0.4	0.5
	8	0.1	0.2	0.4	0.5	0.6	0.8	0.9	1.0	1.2	1.3
	12	0.2	0.4	0.6	0.8	1.1	1.3	1.5	1.8	2.0	2.2
	16	0.2	0.5	0.8	1.2	1.5	1.8	2.1	2.4	2.7	3.1
	20	0.3	0.7	1.10	1.5	1.9	2.3	2.8	3.2	3.6	4.0
	24	0.3	0.8	1.3	1.8	2.3	2.8	3.3	3.8	4.3	4.8
	28	0.4	1.0	1.6	2.2	2.8	3.5	4.1	4.7	5.3	5.9
	32	0.4	1.1	1.8	2.5	3.2	3.9	4.5	5.2	5.9	6.6
	36	0.5	1.3	2.1	2.8	3.6	4.4	5.2	6.0	6.8	7.5
	40	0.5	1.4	2.3	3.2	4.0	4.9	5.8	6.6	7.5	8.4

$$\text{Free Area Velocity (fpm)} = \frac{\text{Flow (cfm)}}{\text{Free Area (sq.ft.)}}$$

