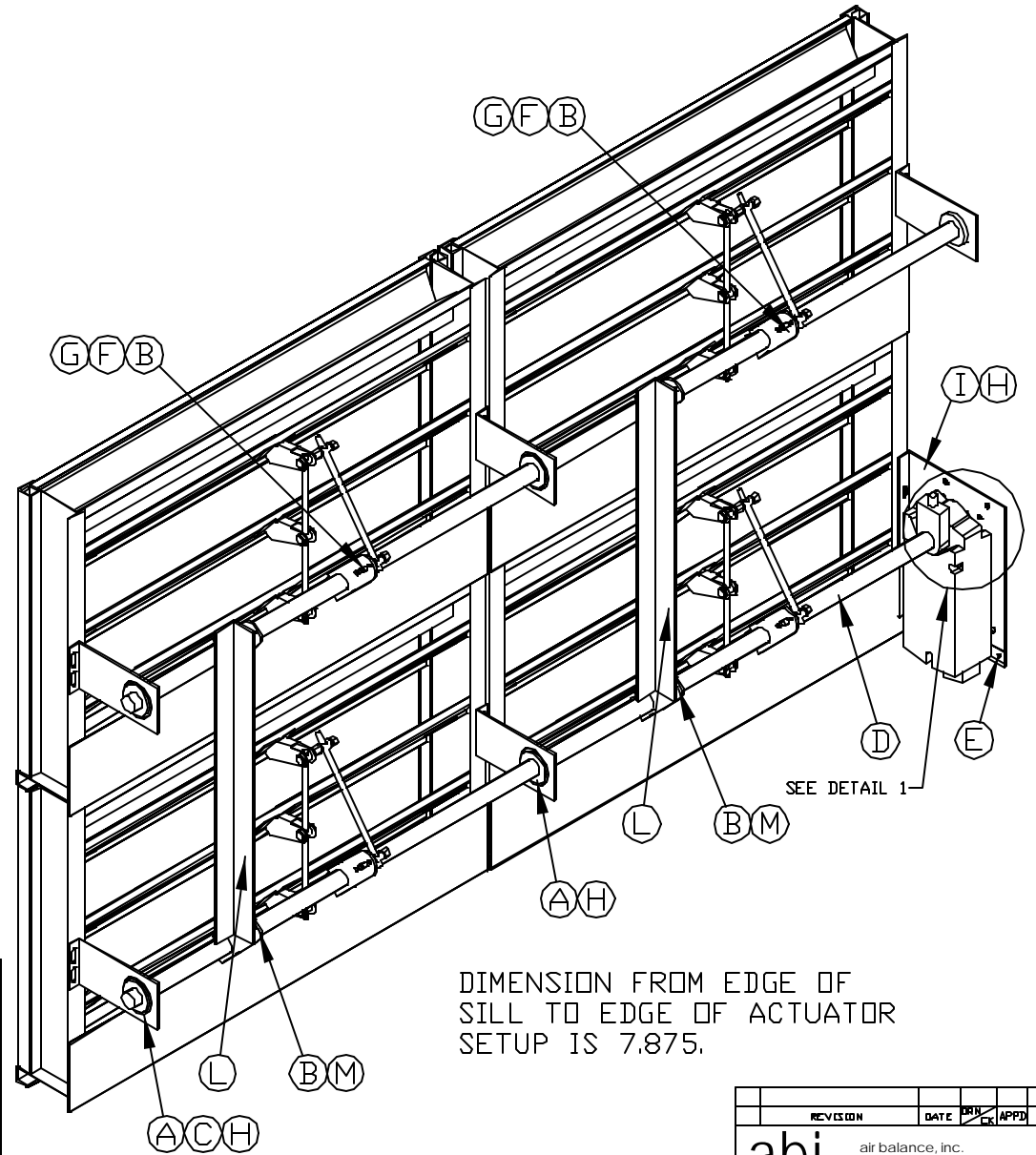


DETAIL 1

\* ALL LOUVER PANELS SHOWN ARE SINGLE LINKAGE. IF DOUBLE LINKAGE PER LOUVER PANEL IS REQUIRED, ADDITIONAL QUANTITIES OF AFFECTED ITEMS WILL BE PROVIDED FOR EACH SET OF LINKAGE.

ITEM	PART DESCRIPTION	DRAWING NUMBER	QUANTITY PER	TOTAL
			# OF PANELS 2 x 2	
A	JACKSHAFT STAND W/ BEARING	28783-STD	5	
B	REMOVABLE LINKAGE ARM TYPE 'S'	18142-STD	8	
C	UNI-CLAMP NCL UM5016-13L	25724-STD	3	
D	1" DIA. JACKSHAFT TUBE	25722-STD	2	
E	M10-24 x 3/4" LG. HEX HEAD	-	2	
F	5/16" DIA SWIVEL	A21749	8	
G	5/16" DIA PLATED STEEL CONNECTING ROD	-	4	
H	PLATED STEEL MOUNTING SCREWS (#14 x 3/4" LG.)	-	12	
I	HONEYWELL ACTUATOR MOUNT	31034-STD	1	
J				
K				
L	LINKAGE INTERCONNECT	32929-STD	2	
M	E-CLIP	-	4	



DIMENSION FROM EDGE OF SILL TO EDGE OF ACTUATOR SETUP IS 7.875.

SIEMENS ACTUATOR

REVISION	DATE	DRN	APPD
<b>abi</b> air balance, inc. A MESTEK COMPANY 7301 INTERNATIONAL DRIVE HOLLAND, OHIO Phone (419) 865-5000 Fax (419) 865-1373			
MULTI-HIGHxWIDE PANEL W/ ON BLADE LINKAGE			
CHK'D BY	APP'D BY		
DRN'D BY	JMD	DRN. NO.	REV.
DATE	05/13/01	32986-2-STD	