

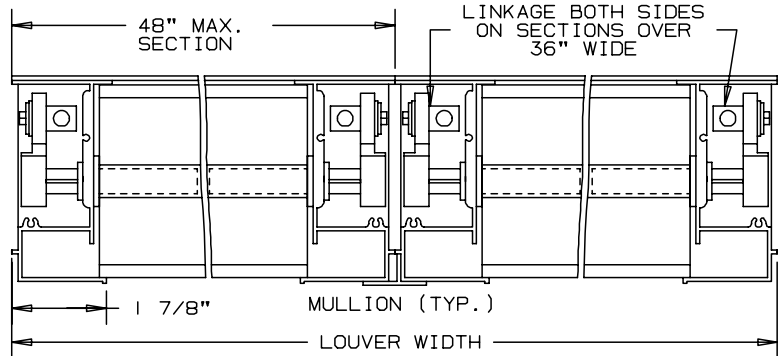
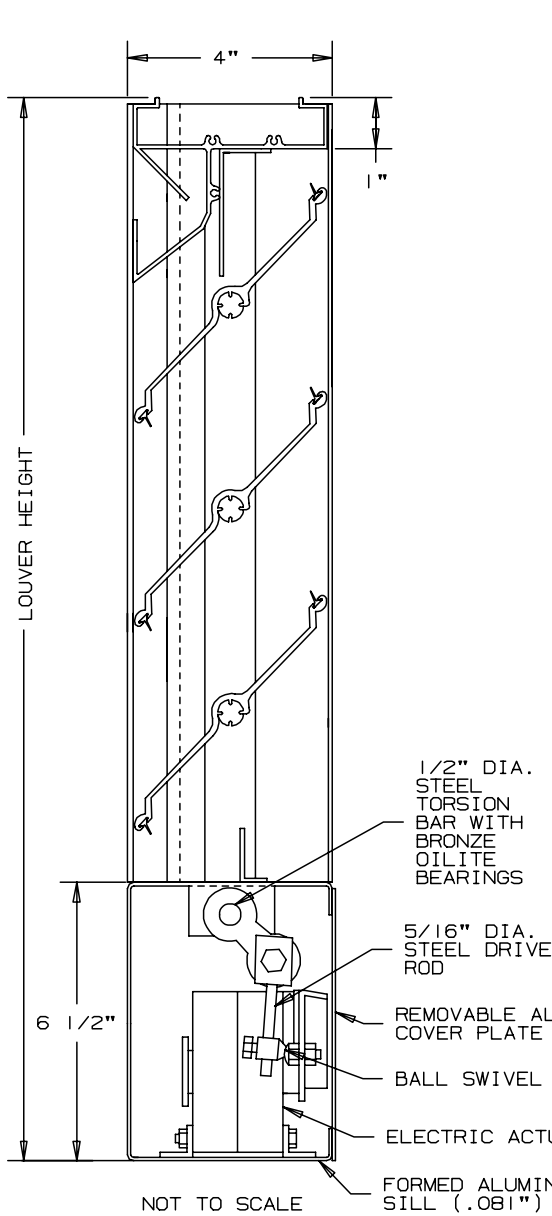
# AIR BALANCE, INC.

## EXTRUDED ALUMINUM LOUVERS

### ADJUSTABLE TYPE 4" DEEP

# TYPE A444-M

### "PIN-LOCK" BLADES - CONCEALED ACTUATOR



### SPECIFICATIONS

"DOUBLE-SEALED" BEARINGS PROVIDE SMOOTHER, TROUBLE-FREE OPERATION WITH A LOWER TORQUE REQUIREMENT. OPERATING LINKAGE CONCEALED IN FRAME, OUT OF THE AIR STREAM.

MATERIAL: FRAME AND BLADE EXTRUDED ALUMINUM 6063-T6/T52 ALLOY .080" THK., BLADES ON 4" CENTERS.

FACE OF LOUVER: FULL WIDTH SILL WITH DRAIN HEAD AND NON-DRAIN BLADES CONTAINED WITHIN THE DRAIN JAMBS.

LINKAGE: EXTRUDED ALUMINUM, CONCEALED IN CHANNEL OUT OF AIRSTREAM. PIVOTS ARE .50" DIA. MACHINED STEEL, CADMIUM PLATED AND CHROMATE TREATED. PIVOTS ROTATE IN A CELCON BEARING. A .312" DIA. ALUMINUM LINKAGE ROD IS LOCKED TO THE PIVOT BY A 1/4-20 SET SCREW WITH AN EPOXY LOCKING PATCH.

SHAFTS: .50" DIA. ALUMINUM "PIN-LOCK" ROD.

SEALS: EXTRUDED SILICONE RUBBER SEAL AT BLADE EDGE. POLYURETHANE AT THE JAMBS.

SCREENS: WHEN INDICATED, IN A REMOVABLE FRAME.  
 BIRD SCREEN - 1/2" FLATTENED ALUMINUM, .051" THK.  
 OR - 1/2" SQ. MESH, INTERMEDIATE DOUBLE-CRIMPED ALUMINUM WIRE, .063 DIA.  
 OR - 18/16 MESH, .011" DIA. ALUMINUM WIRE, INSECT SCREEN.

FINISH: MILL.

ACTUATOR: 120 VAC, SPRING RETURN NORMALLY CLOSED  
 133 IN-LBS. TORQUE.

LOUVER SIZES: 12" x 19" MINIMUM PANEL SIZE.  
 48" x 96" MAXIMUM PANEL SIZE.

### OPTIONAL

- OTHER SCREENS
- ARCHITECTURAL FINISHES

NOMINAL DEDUCTIONS WILL BE MADE TO THE OPENING SIZES GIVEN.

ITEM	QTY.	OPENING SIZE		LOUVER SIZE		MULL	SCREENS		UNION MADE
		WIDTH	HEIGHT	WIDTH	HEIGHT		TYPE	LOC	



**AIR BALANCE, INC.**  
 A Mestek Company

450 Riverside Drive  
 Wyalusing, PA 18853

AGENT: \_\_\_\_\_

ARCH./ENG. :	
CONTR. :	
PROJECT :	
EDR :	ECN : JOB :
DATE :	DWN. : DWG. :