

# MODEL 295

2 Blade • Un-Insulated • For Use in Static Systems • Round Ceiling Radiation Damper

## STANDARD MATERIALS AND CONSTRUCTION

- FRAME:** 22-GA galvanized steel; one piece; 3 27/32" standard depth
- BLADES:** 22-GA galvanized steel
- FUSIBLE LINK:** 165°F
- SPRING:** Extension type
- FINISH:** Mill

## OPTIONS

- 212°F Fusible Link
- Thermal Blanket
- Top Extension (total frame depth 7 1/2")
- Bottom Extension (total frame depth 5 1/2")
- Top and Bottom Extension (total frame depth 9 7/8")

## NOTES

1. Dampers are provided exact size in 1" increments.
  - Deduct 1/4":
    - A. For installation where damper is to be installed inside a steel duct.
    - B. For lay-in installation where damper is to be installed directly into the tee bar grid of the ceiling.
  - Do *not* deduct 1/4":
    - For surface mount ductless installation where damper is to be installed over the neck of a grille or lay-in diffuser.
2. This ceiling damper is used to provide the required fire and heat radiation protection of HVAC penetrations of Floor Ceiling and Roof-Ceiling Assemblies having a Restrained or Unrestrained Assembly Fire Resistance Ratings of 2 hour or less, in accordance with UL263. Standard Fire Dampers (1 1/2 hr. and 3 hr.) do not provide the necessary heat radiation protection. Ceiling Dampers are also called Ceiling Fire Dampers, Radiation Dampers, and Radiation Shields. See Air Balance's UL-Approved Installation Instructions for various installation requirements and procedures. Approved Ceiling Designs are illustrated by Design Number in UL's Fire Resistance Directory.

## DAMPER SIZE

Orientation	Horizontal (Ceiling) Mount Only	
Panels	Min Panel	Max Panel
295	5 3/4" dia.	95 sq.in. 11" dia.

**UNDERWRITERS LABORATORIES INC.®**  
 CLASSIFIED STATIC CEILING DAMPER  
 FIRE RESISTANCE RATING

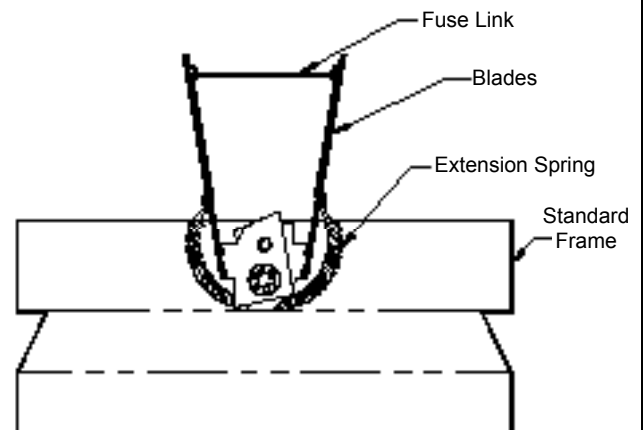
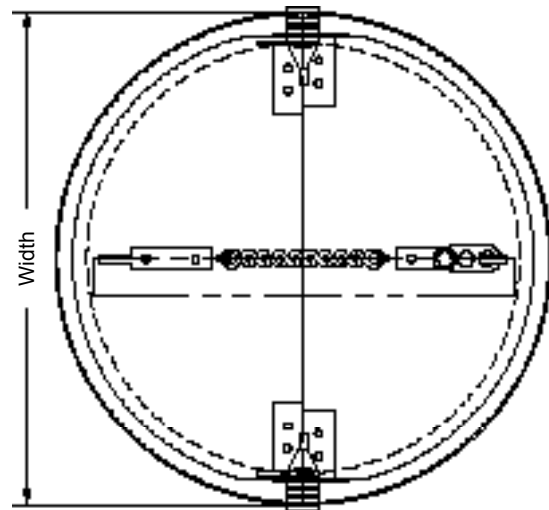
abi air balance

FILE #R11235



This ceiling radiation damper meets the construction and performance requirements of:

- Underwriters Laboratories Inc. Standards 555C
- New York City MEA Listing #110-99-M
- California State Fire marshal Listing #3226-1328:105
- 1 hour Combustible Ceiling Assemblies
- 1 hour and 2 hour Non-Combustible Ceiling Assemblies



# MODEL 295

2 Blade • Un-Insulated • For Use in Static Systems • Round Ceiling Radiation Damper

This page is intentionally left blank.